

QSDLC-5000-18000

5~18GHz

Features:

- * Broadband
- * High Power
- * Low Insertion Loss

Applications:

- * Amplifiers
- * Transmitter
- * Laboratory Test
- * Radar

Electrical

Frequency:	5~18GHz
Coupling:	40±1.5dB
VSWR (Mainline):	1.1 max.
VSWR (Coupling):	1.35 max.
Directivity:	12dB min.
Power:	2000W max.

Mechanical

Interface:	WRD500
Flange:	FPWRD500
Material:	Aluminium
Finish:	Conductive oxidation
Coating:	Sea gray

Environmental

Operating Temperature:	-40~+125°C
------------------------	------------

How To Order

QSDLC-5000-18000-W-X-Y-Z

W: Coupling:

40dB - Outline A

X: Coupling Connector type

Y: Material

Z : Flange type

Connector naming rules:

S - SMA female (Outline A)

Material naming rules:

A - Aluminium (Outline A)

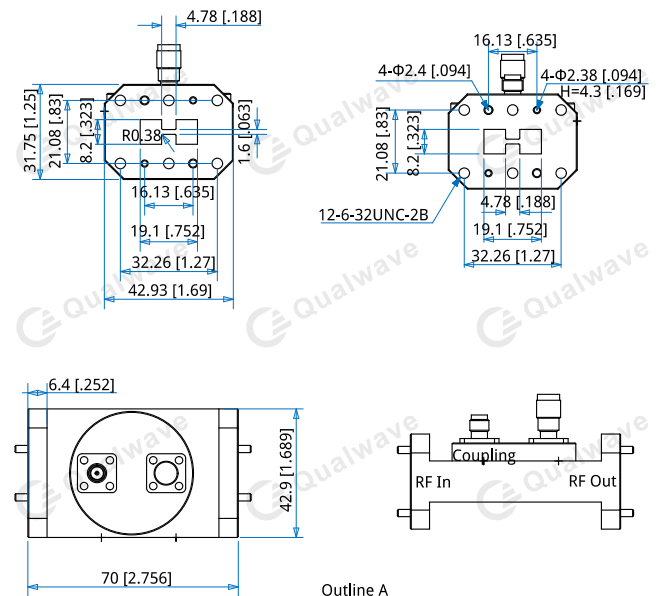
Flange naming rules:

8 - FPWRD (Outline A)

Examples:

To order a Single Directional Loop Coupler, 5~18GHz, 40dB, SMA female, Aluminium, FPWRD500, specify QSDLC-5000-18000-40-S-A-8.

Outline Drawings



Unit: mm [in]

Tolerance: ±0.2mm [±0.008in]

Customization is available upon request.