

## QSDCC-8200-12500

### 8.2~12.5GHz

Features:  
 \* Broadband  
 \* High Power  
 \* Low Insertion Loss

Applications:  
 \* Amplifiers  
 \* Transmitter  
 \* Laboratory Test  
 \* Radar

### Electrical

Frequency:	8.2~12.5GHz
Coupling:	20±0.2, 40±0.2, 50±1.5, 60±1dB
VSWR (Mainline):	1.1 max.
VSWR (Coupling):	1.25 max.
Directivity:	15dB min. (Outline B) 20dB min.
Power Handling:	0.33MW

### Mechanical

Interface:	WR-90 (BJ100)
Flange:	FBP100/FBM100
Material:	Aluminium
Finish:	Conductive oxidation
Coating:	Black paint

### Environmental

Operating Temperature: -40~+125°C

### How To Order

**QSDCC-8200-12500-W-X-Y-Z**

W: Coupling:

20, 40 - Outline A

50 - Outline B

60 - Outline C

X: Coupling Connector type

Y: Material

Z : Flange type

Connector naming rules:

N - N female (Outline A, C)

S - SMA female (Outline B)

Material naming rules:

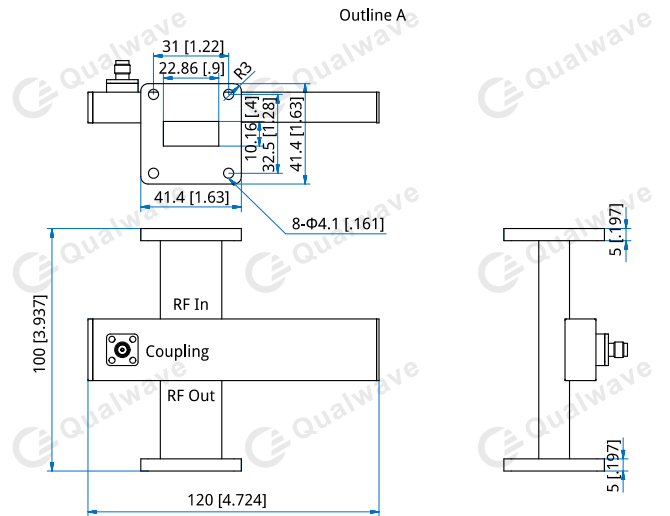
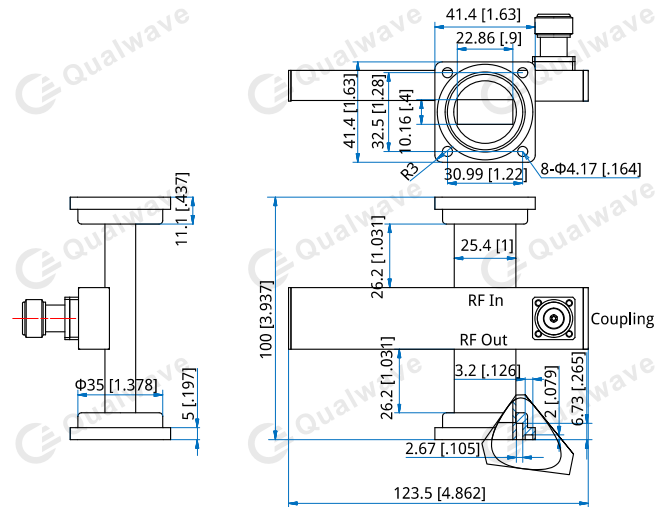
A - Aluminium (Outline A)

Flange naming rules:

1 - FBP (Outline B, C)

3 - FBM (Outline A)

### Outline Drawings

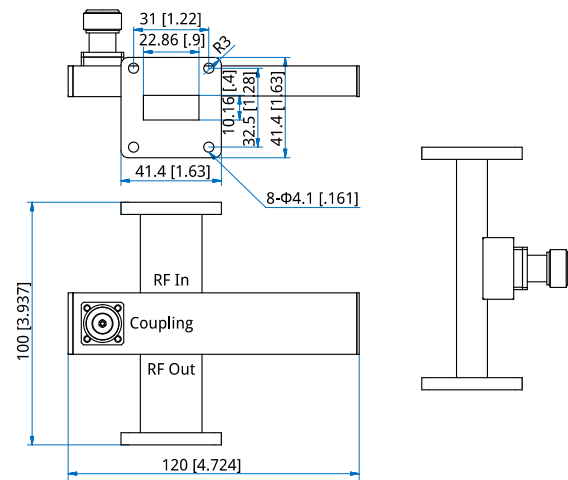


## Single Directional Crossguide Couplers

**Examples:**

To order a Single Directional Crossguide Coupler, 8.2~12.5GHz,  
40dB, N female, Aluminium, FBM100, specify  
QSDCC-8200-12500-40-N-A-3.

Customization is available upon request.



Outline C

Unit: mm [in]

Tolerance:  $\pm 0.2\text{mm}$  [ $\pm 0.008\text{in}$ ]