

QSDCC-17600-26700

17.6~26.7GHz

Features:
 * Broadband
 * High Power
 * Low Insertion Loss

Applications:
 * Amplifiers
 * Transmitter
 * Laboratory Test
 * Radar

Electrical

Frequency:	17.6~26.7GHz
Coupling:	30±0.75, 40±1.5dB
VSWR (Mainline):	1.1 max.
VSWR (Coupline):	1.1 max.
	1.3 max. (Outline B)
Directivity:	15dB min. (Outline B)
	20dB min.
Power Handling:	0.066MW

Mechanical

Interface:	WR-42 (BJ220)
Flange:	FBP220
Material:	Copper
Finish:	Pickling passivation Conductive oxidation (Outline B)
Coating:	Black paint

How To Order

QSDCC-17600-26700-W-X-Y-Z

W: Coupling:

30 - Outline A

40 - Outline B

X: Coupling Connector type

Y: Material

Z : Flange type

Connector naming rules:

K - 2.92mm female (Outline A, B)

Material naming rules:

C - Copper (Outline A, B)

Flange naming rules:

1 - FBP (Outline A, B)

Examples:

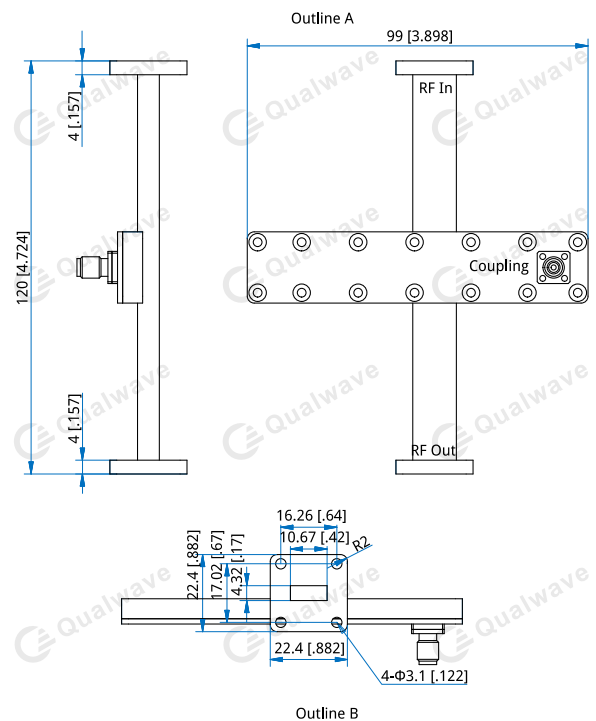
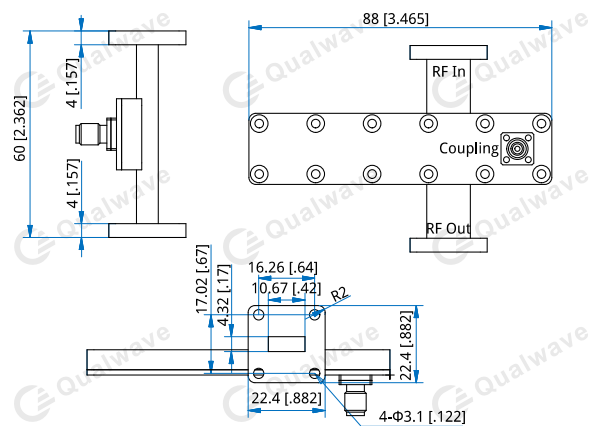
To order a Single Directional Crossguide Coupler, 17.6~26.7GHz, 40dB, 2.92mm female, Copper, FBP220, specify QSDCC-17600-26700-40-K-C-1.

Customization is available upon request.

Environmental

Operating Temperature: -45~+125°C

Outline Drawings



Unit: mm [in]
 Tolerance: ±0.5mm [±0.02in]