

QSDC-8000-8400-20

8~8.4GHz, 20W

Features:

- * Broadband
- * Low Insertion Loss

Applications:

- * Amplifiers
- * Transmitter
- * Laboratory Test
- * Radar

Electrical

| | |
|-----------------|----------------|
| Frequency: | 8~8.4GHz |
| Insertion Loss: | 1dB max. |
| Coupling: | 10±1dB, 20±1dB |
| Directivity: | 12dB min. |
| VSWR: | 1.6 max. |
| Average Power: | 20W max. |
| Impedance: | 50Ω |

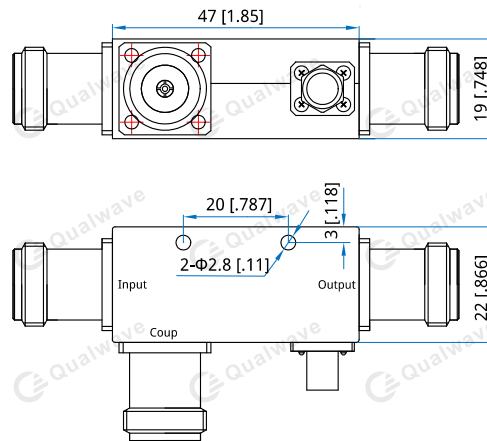
Mechanical

| | |
|-------------|----------------------------------|
| Size*1: | 47*22*19mm 1.85*0.866*0.748in |
| Connectors: | N Female |
| Mounting: | 2-Φ2.8mm through-hole |

[1] Exclude connectors and terminations.

Environmental

| | |
|--------------|-----------|
| Temperature: | -20~+70°C |
|--------------|-----------|

Outline Drawings


Unit: mm [in]

Tolerance: ±0.5mm [±0.02in]

How To Order

QSDC-8000-8400-20-X-Y

X: Coupling: 10, 20

Y: Connector type

Connector naming rules:

N - N Female

Examples:

To order a single directional coupler, 8~8.4GHz, 20W, 10dB, N, specify QSDC-8000-8400-20-10-N.

Customization is available upon request.