

QSDC-6000-26500-30

6~26.5GHz, 30W

Features:
 * Broadband
 * Low Insertion Loss

Applications:
 * Amplifiers
 * Transmitter
 * Laboratory Test
 * Radar

Electrical

Frequency: 6~26.5GHz
 Impedance: 50Ω
 Average Power: 30W max.

Coupling (dB)	Insertion Loss (dB max.)	VSWR (max.)	Coupling Flatness (dB max.)	Directivity (dB min.)
6±0.6	2.3	1.5	±0.8	14
10±0.6	1.3	1.4	±0.6	13
20±0.5	0.7	1.4	±0.5	15
30±0.7	0.8	1.5	±0.5	13

Mechanical

Connectors: SMA Female

Environmental

Operation Temperature: -55~+85°C
 Non-operation Temperature: -55~+100°C

How To Order

QSDC-6000-26500-30-X-Y

X: Coupling:

6dB - Outline A

10, 20, 30dB - Outline B

Y: Connector type

Connector naming rules:

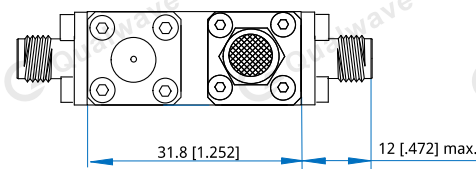
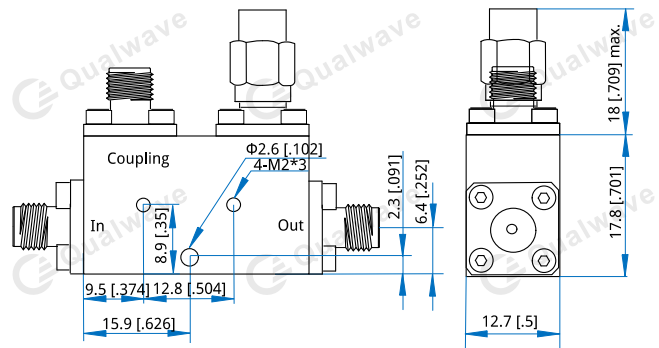
S - SMA female

Examples:

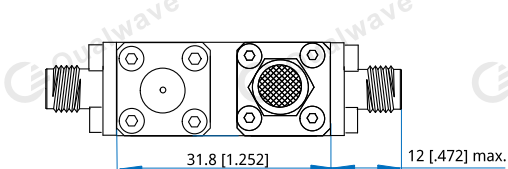
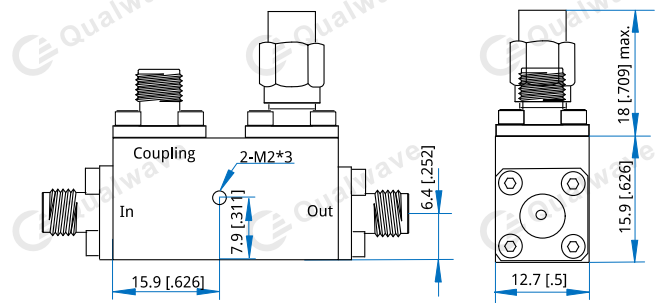
To order a single directional coupler, 2~26.5GHz, 30W, 20dB, SMA female, specify QSDC-6000-26500-30-20-S.

Customization is available upon request.

Outline Drawings



Outline A



Outline B

Unit: mm [in]

Tolerance: .x±0.5mm [±0.02in], .xx±0.1mm [±0.004in]