

QSDC-6000-18000-30-6-S

6~18GHz, 30W, 6dB

Features:

- * Broadband
- * Low Insertion Loss

Applications:

- * Amplifiers
- * Transmitter
- * Laboratory Test
- * Radar

Electrical

Frequency:	6~18GHz
Directivity:	15dB min.
Coupling Flatness:	±0.7dB max.
Impedance:	50Ω
Average Power:	30W max.

Coupling (dB)	Insertion Loss (dB max.)	VSWR (max.)
6±0.5	2.0	1.4

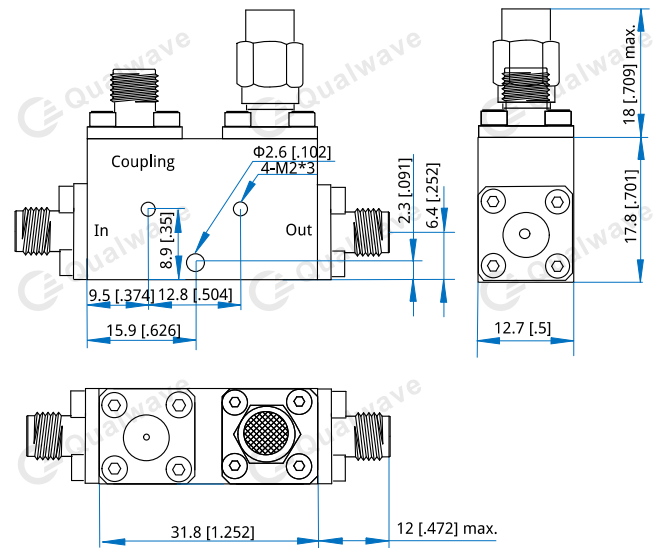
Mechanical

Size ^{*1} :	31.8*17.8*12.7mm 1.252*0.701*0.5in
Connectors:	SMA Female
Mounting:	1-Φ2.6mm through-hole 4-M2*3

[1] Exclude connectors and terminations.

Environmental

Operation Temperature:	-55~+85°C
Non-operation Temperature:	-55~+100°C

Outline Drawings


Unit: mm [in]

Tolerance: .xx±0.5mm [±0.02in], .xxx±0.1mm [±0.004in]

How To Order

QSDC-6000-18000-30-6-S

Customization is available upon request.