

QSDC-500-6000-K2

0.5~6GHz, 200W

Features:

- * Broadband
- * Low Insertion Loss

Applications:

- * Amplifiers
- * Transmitter
- * Laboratory Test
- * Radar

Electrical

Frequency:	0.5~6GHz
Insertion Loss:	0.6dB max.
Coupling:	40±2dB
Coupling Flatness:	±1.5dB
Directivity:	15dB min.
VSWR (Mainline):	1.2 max.
VSWR (Coupling):	1.5 max.
Average Power:	200W
Impedance:	50Ω

Mechanical

Size ^{*1} :	38.1*38.1*27.6mm 1.5*1.5*1.087in
Mounting:	2-Φ3.8mm through-hole

[1] Exclude connectors and terminations.

Environmental

Operation Temperature:	-40~+85°C
------------------------	-----------

How To Order

QSDC-500-6000-K2-X-Y

X: Coupling: 40

Y: Connector type

Connector naming rules:

S - SMA Female (Outline A)

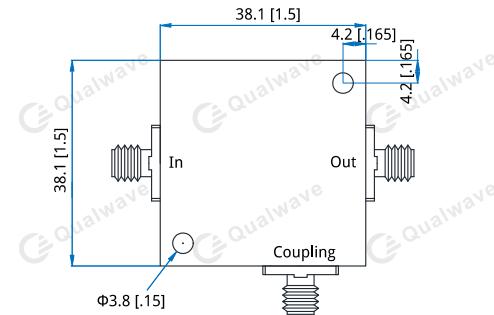
N - N Female (Outline B)

Examples:

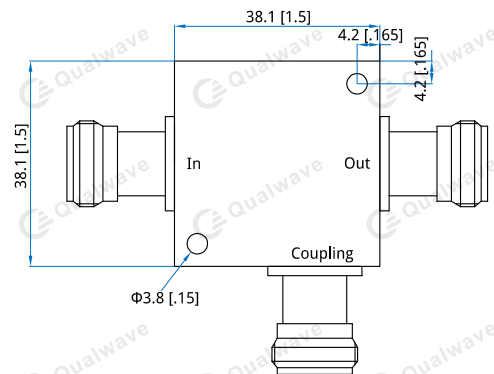
To order a single directional coupler, 0.5~6GHz, 200W, 40dB, SMA Female, specify QSDC-500-6000-K2-40-S.

Customization is available upon request.

Outline Drawings



Outline A



Outline B

Unit: mm [in]

Tolerance: ±0.3mm [±0.012in]