

QSDC-500-18000-K25

0.5~18GHz, 250W

Features:
 * Broadband
 * Low Insertion Loss

Applications:
 * Amplifiers
 * Transmitter
 * Laboratory Test
 * Radar

Electrical

Frequency: 0.5~18GHz
 Impedance: 50Ω
 Average Power: 250W max.
 Peak Power: 3000W (Outline A)

Coupling (dB)	Frequency (GHz)	Insertion Loss (dB max.)	VSWR (max.)		Coupling Flatness (dB max.)	Directivity (dB min.)
			Mainline	Coupling		
30±1.2	0.5~8	0.7	1.4	1.5	±1.5	12
	8~18	1	1.5	1.6		
40±1.2	0.5~18	1	1.5	1.6	±1.4	10

Mechanical

RF Connectors: N Female
 Coupling Connectors: SMA Female
 Mounting: 4-Φ3.8 through hole
 2-Φ3.6 through hole

Environmental

Operation Temperature: -55~+85°C
 Non-operation Temperature: -55~+100°C

How To Order

QSDC-500-18000-K25-X-Y

X: Coupling: (30dB - Outline A, 40dB - Outline B)

Y: Connector type

Connector naming rules:

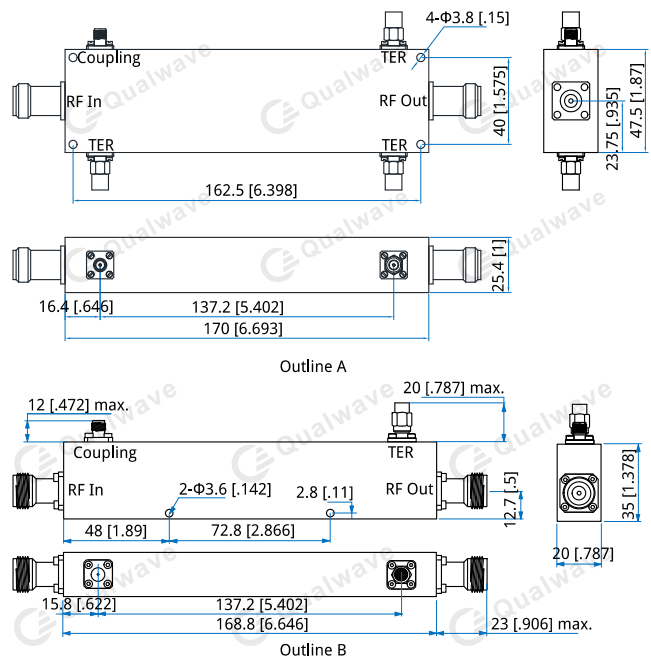
NS - N Female & SMA Female

Examples:

To order a single directional coupler, 0.5~18GHz, 250W, 30dB, N Female & SMA Female, specify QSDC-500-18000-K25-30-NS.

Customization is available upon request.

Outline Drawings



Unit: mm [in]

Tolerance: x.±1mm [±0.039in], .x±0.5mm [±0.02in], .xx±0.1mm [±0.004in]