

QSDC-470-860-K5

470~860MHz, 500W

Features:
 * Broadband
 * Low Insertion Loss

Applications:
 * Amplifiers
 * Transmitter
 * Laboratory Test
 * Radar

Electrical

Frequency: 470~860MHz
 Impedance: 50Ω
 Average Power: 500W

Coupling (dB)	Insertion Loss (dB max.)	VSWR (max.)	Directivity (dB min.)
30±0.75	0.3	1.15	20
40±0.75	0.3	1.15	20
50±0.75	0.3	1.15	20

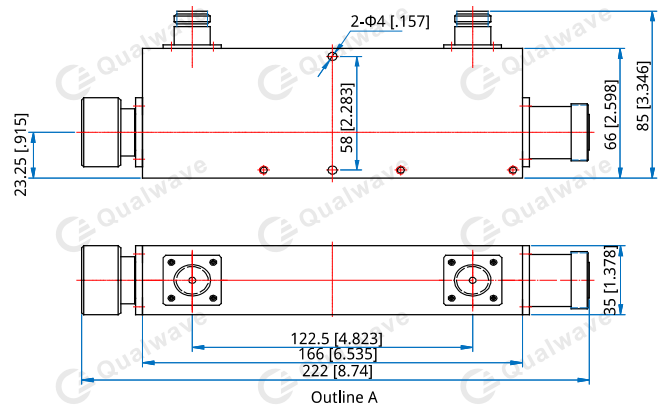
Mechanical

RF Connectors: 7/16 DIN Female, 7/16DIN Male
 Coupling Connectors: 7/16 DIN Female
 Mounting: 2-Φ4mm through hole

Environmental

Operation Temperature: -40~+80°C
 Non-operation Temperature: -50~+100°C

Outline Drawings



Unit: mm [in]
 Tolerance: ±5%

How To Order

QSDC-470-860-K5-X-Y

X: Coupling:
 30, 40, 50dB - Outline A
 Y: Connector type

Connector naming rules:
 7M7 - 7/16 DIN Male & 7/16 DIN Female

Examples:
 To order a single directional coupler, 470~860MHz, 500W, 30dB, 7/16 Male & 7/16 Female, specify QSDC-470-860-K5-30-7M7.

Customization is available upon request.