

## QSDC-450-2500-50-6-S

0.45~2.5GHz, 50W, 6dB

**Features:**

- \* Broadband
- \* Low Insertion Loss

**Applications:**

- \* Amplifiers
- \* Transmitter
- \* Laboratory Test
- \* Radar

**Electrical**

Frequency:	0.45~2.5GHz
Insertion Loss:	0.8dB max.
VSWR:	1.2 max.
Directivity:	18dB min.
Coupling:	6±1dB
Coupling Flatness:	±1dB max.
Impedance:	50Ω
Average Power:	50W

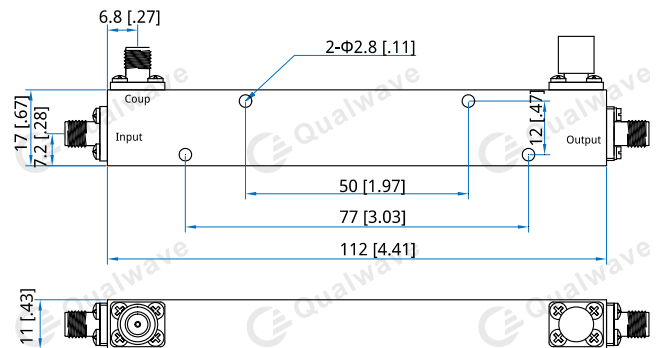
**Mechanical**

Size <sup>*1</sup> :	112*17*11mm 4.41*0.67*0.43in
Connectors:	SMA Female
Mounting:	2-Φ2.8mm through-hole

[1] Exclude connectors and terminations.

**Environmental**

Temperature:	-45~+85°C
--------------	-----------

**Outline Drawings**


Unit: mm [in]

Tolerance: ±0.5mm [±0.02in]

**How To Order**
**QSDC-450-2500-50-6-S**

Customization is available upon request.