

QSDC-4000-8000-50-10-S

4~8GHz, 50W, 10dB

Features:
 * Broadband
 * Low Insertion Loss

Applications:
 * Amplifiers
 * Transmitter
 * Laboratory Test
 * Radar

Electrical

Frequency:	4~8GHz
Insertion Loss:	1dB max.
Coupling:	10±1dB
Directivity:	16dB min.
VSWR:	1.3 max.
Impedance:	50Ω
Average Power:	50W

Mechanical

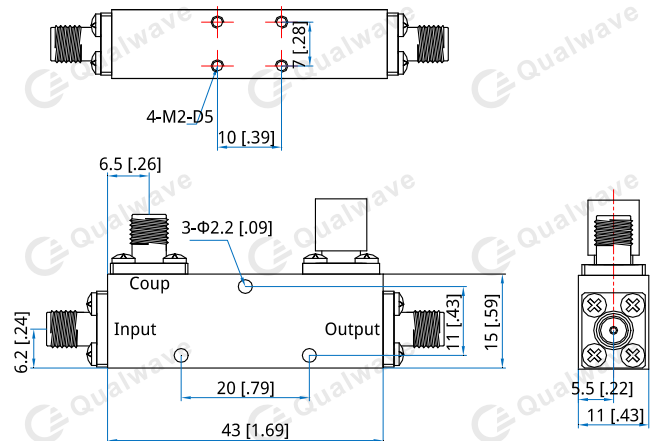
Size ^{*1} :	43*15*11mm 1.69*0.591*0.433in
Connectors:	SMA Female
Mounting:	3-Φ2.2mm through-hole 4-M2, depth 5mm

[1] Exclude connectors and terminations.

Environmental

Temperature:	-35~+75°C
--------------	-----------

Outline Drawings



Unit: mm [in]
 Tolerance: ±0.5mm [±0.02in]

How To Order

[QSDC-4000-8000-50-10-S](#)

Customization is available upon request.