

QSDC-3800-4300-50-20-N

3.8~4.3GHz, 50W, 20dB

Features:

- * Broadband
- * High Power
- * Low Insertion Loss

Applications:

- * Amplifiers
- * Transmitter
- * Laboratory Test
- * Radar

Electrical

Frequency:	3.8~4.3GHz
Insertion Loss:	0.5dB max.
Coupling:	20±1dB
VSWR:	1.3 max.
Directivity:	20dB min.
Average Power:	50W max.
Impedance:	50Ω

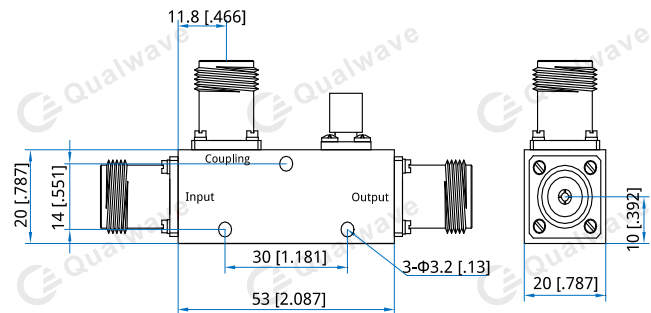
Mechanical

Size ^{*1} :	20*20*53mm 0.787*0.787*2.087in
Connectors:	N Female
Mounting:	3-Φ3.2mm through-hole

[1] Exclude connectors and terminations.

Environmental

Temperature:	-45~+85°C
--------------	-----------

Outline Drawings


Unit: mm [in]

Tolerance: ±0.5mm [±0.02in]

How To Order

QSDC-3800-4300-50-20-N

Customization is available upon request.