

## QSDC-20000-50000-10

### 20~50GHz, 10W

**Features:**

- \* Broadband
- \* Low Insertion Loss

**Applications:**

- \* Amplifiers
- \* Transmitter
- \* Laboratory Test
- \* Radar

**Electrical**

Frequency:	20~50GHz
Insertion Loss:	1.8dB max. (10dB)
	1.6dB max. (20dB)
	1.2dB max. (30dB)
VSWR:	1.9 max.
Directivity:	10dB min. (10, 20dB)
	8dB min. (30dB)
Coupling:	10±1.2, 20±1.2, 30±1.2dB
Coupling Flatness:	±1dB
Impedance:	50Ω
Average Power:	10W

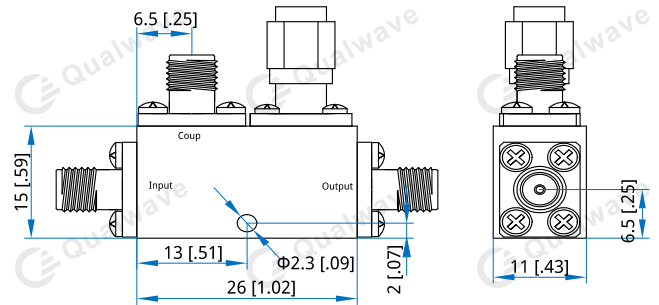
**Mechanical**

Size <sup>*1</sup> :	26*15*11mm
	1.02*0.59*0.43in
Connectors:	2.4mm Female
Mounting:	Φ2.3mm through-hole

[1] Exclude connectors and terminations.

**Environmental**

Temperature:	-45~+85°C
--------------	-----------

**Outline Drawings**


Unit: mm [in]

Tolerance: ±0.5mm [±0.02in]

**How To Order**

**QSDC-20000-50000-10-X-Y**

X: Coupling: 10, 20, 30

Y: Connector type

Connector naming rules:

2 - 2.4mm Female

Examples:

To order a single directional coupler, 20~50GHz, 10W, 10dB, 2.4mm Female, specify QSDC-20000-50000-10-10-2.

Customization is available upon request.