

# QSDC-2000-40000-30

2~40GHz, 30W

Features:  
 \* Broadband  
 \* Low Insertion Loss

Applications:  
 \* Amplifiers  
 \* Transmitter  
 \* Laboratory Test  
 \* Radar

### Electrical

Frequency: 2~40GHz  
 Impedance: 50Ω  
 Average Power: 30W

Coupling (dB)	Insertion Loss (dB max.) (Excl Coupling)	VSWR (max.)	Coupling Flatness (dB max.)	Directivity (dB min.)
10±1.5	2.0	1.7	±1.0	10
16±1.2	1.5	1.6	-	10
20±1.5	1.5	1.7	±1.0	10
30±1.5	1.5	1.7	±1.0	10

### Mechanical

Connectors: 2.92mm Female  
 Mounting: 3-Φ2.3mm through-hole

### Environmental

Temperature: -45~+85°C

### How To Order

**QSDC-2000-40000-30-X-Y**

X: Coupling:

10dB - Outline A

16dB - Outline B

20dB - Outline A

30dB - Outline A

Y: Connector type

Connector naming rules:

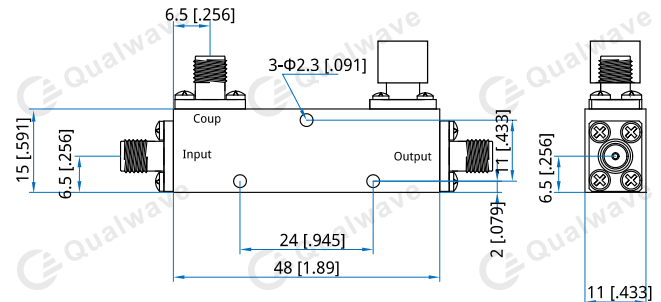
K - 2.92mm Female

Examples:

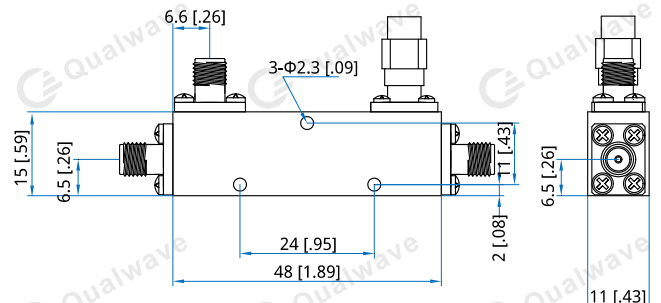
To order a single directional coupler, 2~40GHz, 30W, 10dB, 2.92mm, specify QSDC-2000-40000-30-10-K.

Customization is available upon request.

### Outline Drawings



Outline A



Outline B

Unit: mm [in]

Tolerance: ±0.5mm [±0.02in]