

## QSDC-18000-50000-20

### 18~50GHz, 20W

Features:  
 \* Broadband  
 \* Low Insertion Loss

Applications:  
 \* Amplifiers  
 \* Transmitter  
 \* Laboratory Test  
 \* Radar

### Electrical

Frequency:	18~50GHz
Impedance:	50Ω
Average Power:	20W CW max.
Peak Power:	1000W max.

Coupling (dB)	Insertion Loss (dB max.)	VSWR (max.)	Coupling Flatness (±dB max.)	Directivity (dB min.)
10±0.7	1.8	1.8	0.7	9
13±0.8	1.7	1.8	0.7	8
16±0.8	1.6	1.8	0.7	8
20±1.3	2.2	1.7	1.0	10
30±0.8	1.5	1.8	0.9	8

### Mechanical

Connectors: 2.4mm Female

### Environmental

Operation Temperature: -55~+85°C (Outline A)  
 -40~+85°C

Non-operation Temperature: -55~+100°C (Outline A)

### How To Order

**QSDC-18000-50000-20-X-Y**

X: Coupling (10, 13, 16, 30dB - Outline A, 20dB - Outline B)

Y: Connector type

Connector naming rules:

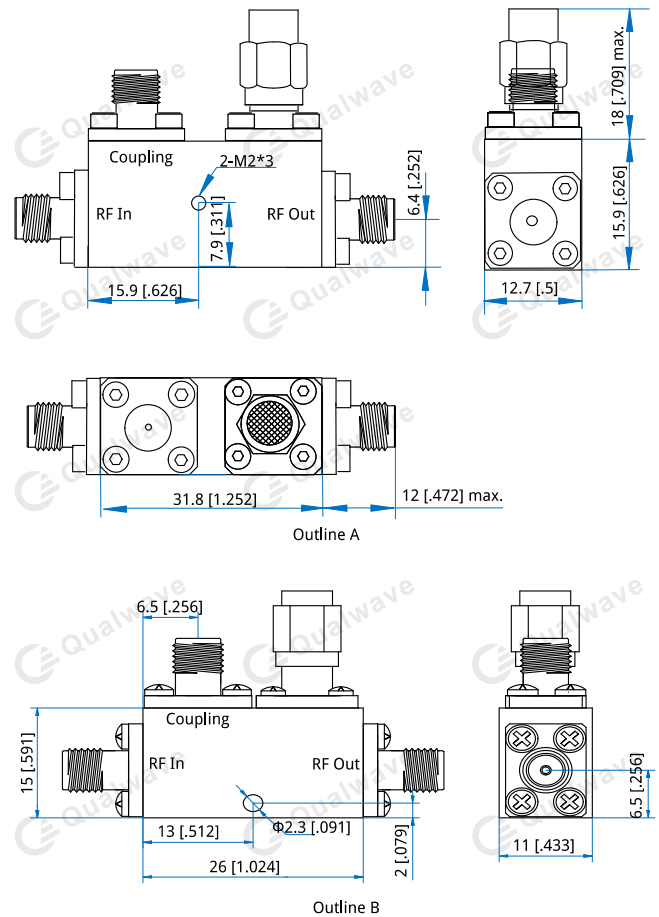
2 - 2.4mm Female

Examples:

To order a single directional coupler, 18~50GHz, 20W, 20dB, 2.4mm Female, specify QSDC-18000-50000-20-20-2.

Customization is available upon request.

### Outline Drawings



Unit: mm [in]

Tolerance: .x±0.5mm [±0.02in], .xx±0.1mm [±0.004in]