

QSDC-14000-15000-50

14~15GHz, 50W

Features:

- * Broadband
- * Low Insertion Loss

Applications:

- * Amplifiers
- * Transmitter
- * Laboratory Test
- * Radar

Electrical

Frequency:	14~15GHz
Insertion Loss:	0.6dB max.
VSWR:	1.4 max.
Directivity:	15dB min.
Coupling:	10±1, 20±1dB
Coupling Flatness:	±1.0dB max.
Impedance:	50Ω
Average Power:	50W

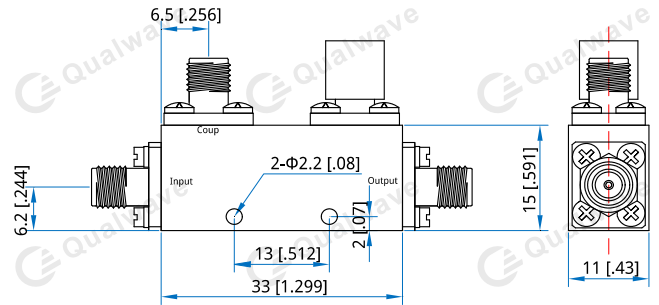
Mechanical

Size ^{*1} :	33*15*11mm 1.299*0.591*0.43in
Connectors:	SMA Female
Mounting:	2-Φ2.2mm through-hole

[1] Exclude connectors and terminations.

Environmental

Temperature:	-45~+85°C
--------------	-----------

Outline Drawings


Unit: mm [in]

Tolerance: ±0.5mm [±0.02in]

How To Order

QSDC-14000-15000-50-X-Y

X: Coupling: 10, 20

Y: Connector type

Connector naming rules:

S - SMA Female

Examples:

To order a single directional coupler, 14~15GHz, 50W, 10dB, SMA, specify QSDC-14000-15000-50-10-S.

Customization is available upon request.