

QSDC-1290-1310-K1

1.29~1.31GHz, 100W

Features:

- * Broadband
- * Low Insertion Loss

Applications:

- * Amplifiers
- * Transmitter
- * Laboratory Test
- * Radar

Electrical

Frequency:	1.29~1.31GHz
Insertion Loss:	1.8dB max.
	0.8dB max. (10dB)
	0.5dB max. (20dB)
Coupling:	6±1, 10±1, 20±1dB
Directivity:	20dB min.
VSWR:	1.3 max.
Average Power:	100W
Impedance:	50Ω

Mechanical

Size*1:	120*40*16.5mm
	4.724*1.575*0.65in
Connectors:	N Female
Mounting:	2-Φ4mm through-hole

[1] Exclude connectors and terminations.

How To Order

QSDC-1290-1310-K1-X-Y

X: Coupling: 6 10, 20

Y: Connector type

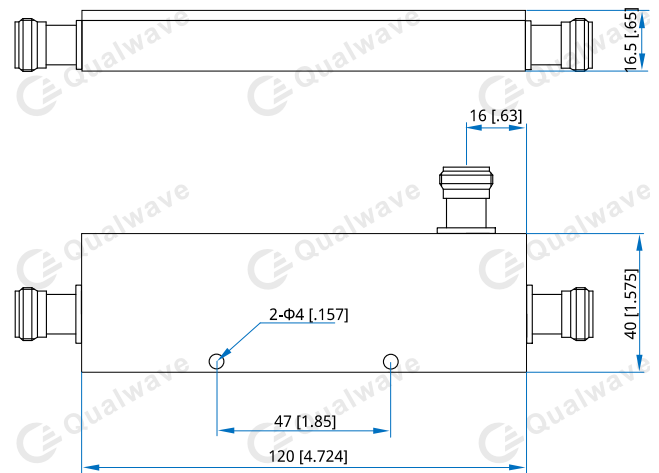
Connector naming rules:

N - N Female

Examples:

To order a single directional coupler, 1.29~1.31GHz, 100W, 10dB, N Female, specify QSDC-1290-1310-K1-10-N.

Customization is available upon request.

Outline Drawings


Unit: mm [in]

Tolerance: ±0.3mm [±0.012in]