

## QSDC-1000-40000-20

### 1~40GHz, 20W

Features:  
 \* Broadband  
 \* Low Insertion Loss

Applications:  
 \* Amplifiers  
 \* Transmitter  
 \* Laboratory Test  
 \* Radar

#### Electrical

Frequency: 1~40GHz  
 Impedance: 50Ω  
 Average Power: 20W max.

Coupling (dB)	Insertion Loss (dB max.)	VSWR (max.)	Coupling Flatness (dB max.)	Directivity (dB min.)
6±0.8	3.8	1.7	±1.0	10
30±1.2	1.9	1.7	±1.1	9

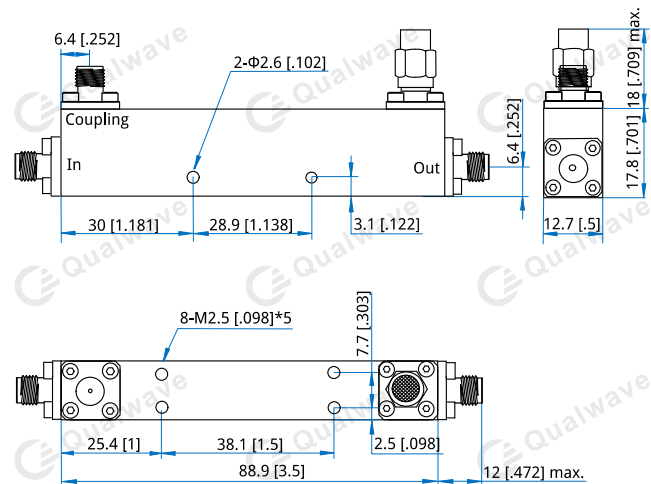
#### Mechanical

Connectors: 2.92mm Female  
 Mounting: 2-Φ2.6mm through-hole  
 8-M2.5\*5

#### Environmental

Operation Temperature: -55~+85°C  
 Non-operation Temperature: -55~+100°C

#### Outline Drawings



Outline A

Unit: mm [in]

Tolerance: .xx±0.5mm [±0.02in], .xx±0.1mm [±0.004in]

#### How To Order

**QSDC-1000-40000-20-X-Y**

X: Coupling:

6, 30dB - Outline A

Y: Connector type

Connector naming rules:

K - 2.92mm female

Examples:

To order a single directional coupler, 1~40GHz, 20W, 30dB, 2.92mm female, specify QSDC-1000-40000-20-30-K.

Customization is available upon request.