

QSDC-0.009-50-K2-50-NS

9KHz~50MHz, 200W, 50dB

Features:

* Low Insertion Loss

Applications:

- * Amplifiers
- * Transmitter
- * Laboratory Test
- * Radar

Electrical

Frequency:	9KHz~50MHz
Insertion Loss:	0.5dB max.
Flatness:	±0.5dB max.
Coupling:	50±1dB
Directivity:	16dB min.
VSWR:	1.2 max.
Average Power:	200W

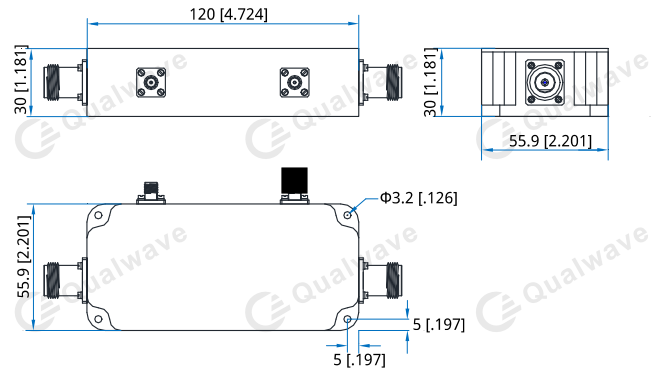
Mechanical

Size*1:	120*55.9*30mm 4.724*2.201*1.181in
RF Connectors:	N Female
Coupling Connectors:	SMA female
Mounting:	4-Φ3.2mm through-hole

[1] Exclude connectors

Environmental

Temperature:	-40~+85°C
--------------	-----------

Outline Drawings


Unit: mm [in]

Tolerance: ±0.3mm [±0.012in]

How To Order
[QSDC-0.009-50-K2-50-NS](#)

Customization is available upon request.