

## QSDC-0.009-400-K5-50-NS

9KHz~400MHz, 500W, 50dB

**Features:**

\* Low Insertion Loss

**Applications:**

- \* Amplifiers
- \* Transmitter
- \* Laboratory Test
- \* Radar

**Electrical**

Frequency:	9KHz~400MHz
Insertion Loss:	0.6dB max.
Flatness:	±2dB max.
Coupling:	50±2dB
Directivity:	16dB min.
VSWR(Mainline):	1.2 max.
Average Power:	500W

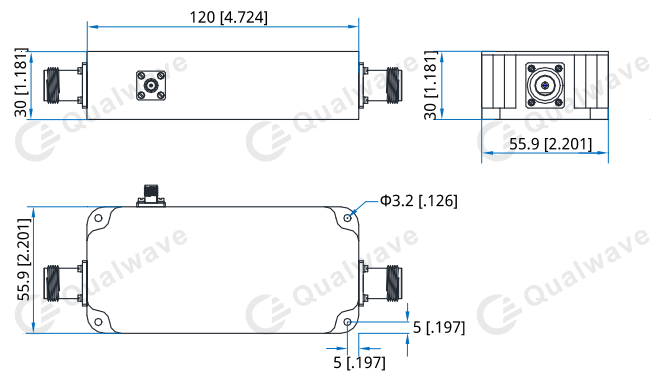
**Mechanical**

Size*1:	120*55.9*30mm 4.724*2.201*1.181in
RF Connectors:	N Female
Coupling Connectors:	SMA female
Mounting:	4-Φ3.2mm through-hole

[1] Exclude connectors

**Environmental**

Temperature:	-40~+85°C
--------------	-----------

**Outline Drawings**


Unit: mm [in]

Tolerance: ±0.3mm [±0.012in]

**How To Order**
[QSDC-0.009-400-K5-50-NS](#)

Customization is available upon request.