

QRJ1-3000-33

Single Channel, DC~3GHz, 33mm

- | | |
|-------------------------------|------------------------------|
| Features: | Applications: |
| * Low VSWR | * High Speed Digital Signal |
| * Low VSWR Flatness | Transmission |
| * Low Insertion Loss Flatness | * Analog Signal Transmission |

Electrical (Rotary Joint)

Frequency:	DC~3GHz
VSWR:	1.3 max.
VSWR Flatness:	0.05 max.
Insertion Loss:	0.3dB
Insertion Loss Flatness:	0.05dB
Rated Power:	5W
Impedance:	75Ω (video signal) 50Ω (High-frequency RF signal)

Mechanical (Rotary Joint)

Connectors:	Direct coaxial cable outlet
Rotating Speed:	100RPM
Rotating Torque:	0.1Nm +0.03Nm/Circuits no. 6
Operation Life:	5M Cycles
Contact Material:	Gold
Housing:	Aluminum alloy
IP Grade:	IP51

Environmental

Operating Temperature:	-30~+80°C -45~+85°C (Military optional)
Operating Humidity:	0~80% 0~97% (Military optional)

Electrical (Slip Ring)

Voltage:	0~240VAC/VDC
Impedance of Dielectric (Power):	500MΩ/300VDC min.
Impedance of Dielectric (Signal):	200MΩ/300VDC min.
Lead Wire:	AWG#22 Silver plated Teflon
Wire Length:	Standard length 300mm (adjustable upon request)
Dielectric Resistance:	200VAC@50Hz, 60s
Electrical Noise:	0.01Ω max.

How To Order

QRJ1-3000-33-X-Y

X: Power Circuits

For example:

0610 - 6 circuits@10A

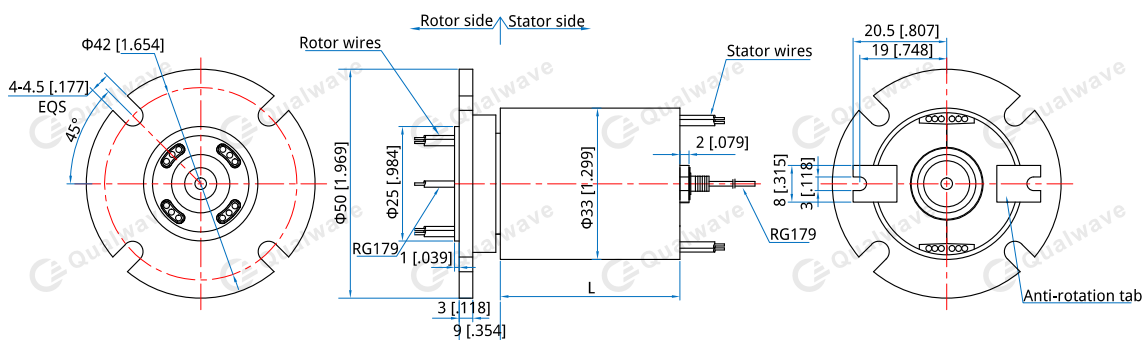
Y: Signal Circuits

For example:

06S - 6 circuits signal@5A

Customization is available upon request.

Outline Drawings



Unit: mm [in] Tolerance: $\pm 0.2\text{mm}$ [$\pm 0.008\text{in}$]

Standard Part Number List

Part Number	RF Channel	Frequency (GHz)	Circuits no. (10A)	Circuits no. (5A)	Length L(mm/in)
QRJ1-3000-33-06S	1	DC~3	0	6	25.4 [1]
QRJ1-3000-33-12S	1	DC~3	0	12	39.2 [1.543]
QRJ1-3000-33-18S	1	DC~3	0	18	53 [2.087]
QRJ1-3000-33-24S	1	DC~3	0	24	66.8 [2.63]