

QSP77

7/16 DIN to 7/16 DIN

Features:
* Broadband

Applications:
* Any Applications

Electrical

Frequency:	DC~3GHz
VSWR:	1.2 max.
Insertion Loss:	0.4dB max.
RF Power Transmission:	2500W
Lightning Surge Current:	10kA
Ground Wire Diameter:	6 mm ² max
Impedance of Dielectric:	5000MΩ min.
Impedance of Contact (Center):	0.4mΩ max.
Impedance of Contact (Outer):	0.2mΩ max.
Impedance:	50Ω

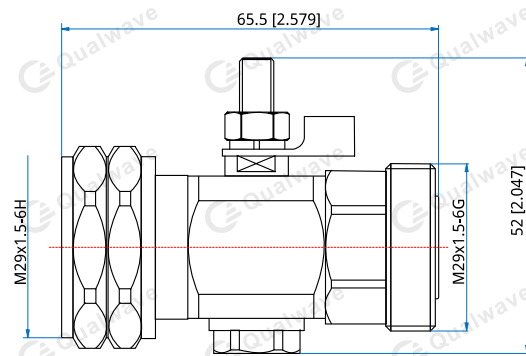
Mechanical

RF Connector:	7/16 DIN
Mating Life Cycle:	500 cycles min.
Outer Conductor:	Nickel plated brass
Dielectric:	PTFE
Inner Conductor:	Silver plated brass

Environmental

Temperature:	-40~+85°C
--------------	-----------

Outline Drawings



Outline A

Unit: mm [in]

Tolerance: ±0.2mm [±0.008in]

How To Order

QSP77-MF-03 - 7/16 DIN(m) to 7/16 DIN(f), DC~3GHz, Outline A

Customization is available upon request.