

QSP-26

DC~26GHz

Features:
 * Durable
 * Low Insertion Loss
 * Low VSWR

Applications:
 * Microwave Test

Specifications

Frequency (GHz)	Pitch (μm)	Tip Size (μm)	IL (dB Max.)	VSWR (Max.)	Configuration	Mounting Styles	Connector
DC~26	200	30	0.6	1.45	SG	45°	2.92mm female

Electrical

Frequency: DC~26GHz
 Recommend Overtravel: 50~75 μm
 Impedance: 50 Ω

Mechanical

Material: Aluminum Alloy
 Probe Tip Material: Gold plated BeCu

Environmental

Operating Temperature: -45~+85°C

How To Order

QSP-26-V-W-X-Y-Z-U-T

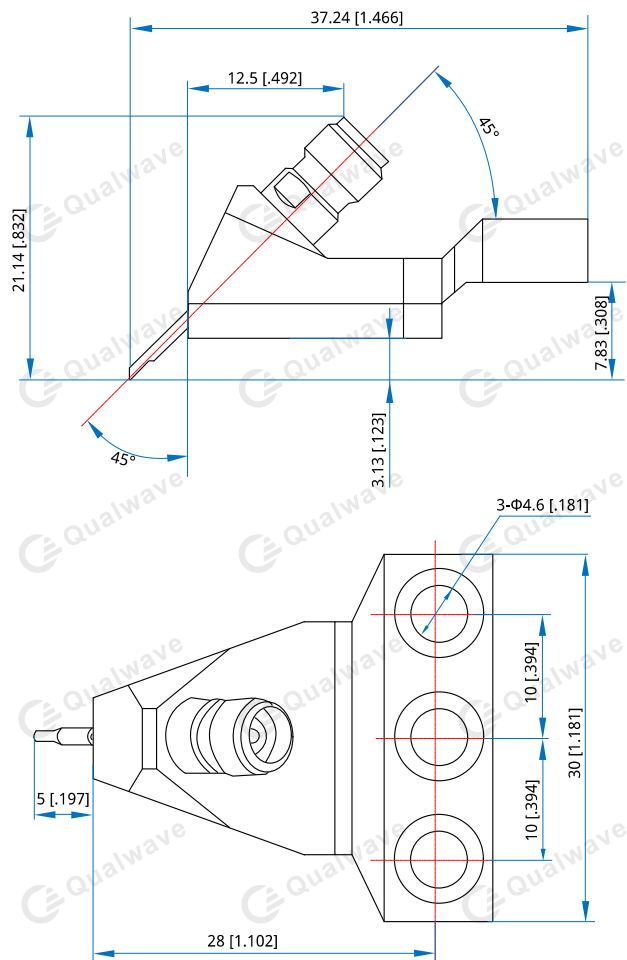
- V: Configuration Type.
- W: Pitch in μm
- X: Tip Size in μm
- Y: Mounting Styles. 45°: 45
- Z: Material. Aluminum alloy: A
- U: Probe Tip Material. Gold plated BeCu: C
- T: If there are duplicate models with different appearances.

Examples:

To order a single port probe, DC~26GHz, SG, Pitch 200 μm , 30 μm , 45°, Aluminum alloy, Gold plated BeCu, specify QSP-26-SG-200-30-45-A-C.

Customization is available upon request.

Outline Drawings



Unit: mm [inch]
 Tolerance: $\pm 0.25\text{mm}$ [$\pm 0.01\text{in}$]