

QPS-3940-5990

3.94~5.99GHz

Features:

- * Broadband
- * High Power
- * Low Insertion Loss

Applications:

- * Amplifiers
- * Transmitter
- * Laboratory Test
- * Radar

Electrical

Frequency:	3.94~5.99GHz
Coupling:	30dB
VSWR (Mainline):	1.1 max.

Mechanical

Interface:	WR-187 (BJ48)
Flange:	FAM48
Coupling Connectors:	N Female
Material:	Aluminum
Finish:	Conductive oxidation
Coating:	Gray paint

How To Order

QPS-3940-5990-W-X-Y-Z

W: Coupling

30dB - Outline A

X: Coupling connector type

Y: Material

Z : Flange type

Connector naming rules:

N - N female (Outline A)

Material naming rules:

A - Aluminium (Outline A)

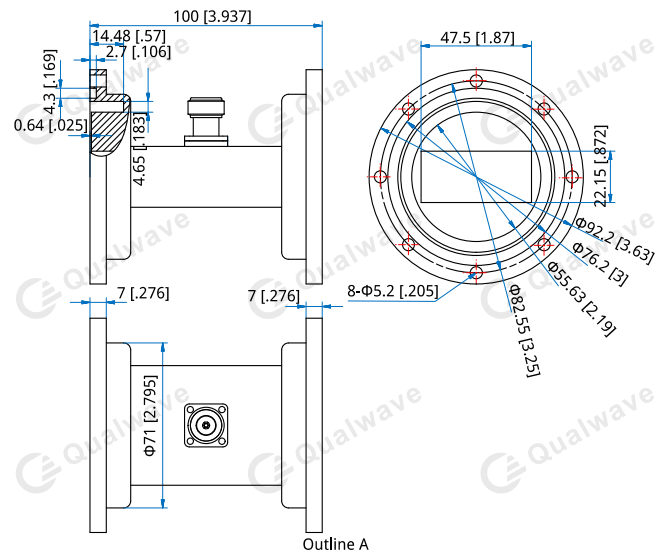
Flange naming rules:

19 - FAM (Outline A)

Examples:

To order a Power Sampler, 3.94~5.99GHz, 30dB, N female, Aluminium, FAM48, specify QPS-3940-5990-30-N-A-19.

Customization is available upon request.

Outline Drawings


Unit: mm [in]

Tolerance: ±0.2mm [±0.008in]