

# QPA-37000-40000-45-34-F

## 37~40GHz, 45dB, 34dBm

**Features:**

- \* Small Size
- \* Low Power Consumption

**Applications:**

- \* Wireless
- \* Transmitter
- \* Laboratory Test

**Electrical**

Frequency:	37~40GHz
Gain:	45dB min.
Output Power (P1dB):	34dBm min.
Spurious:	-60dBc max.
Harmonic:	-15dBc typ.
Input VSWR:	2 typ.
Output VSWR:	2 typ.
Voltage:	+6V DC
Current:	4.5A typ.
Impedance:	50Ω

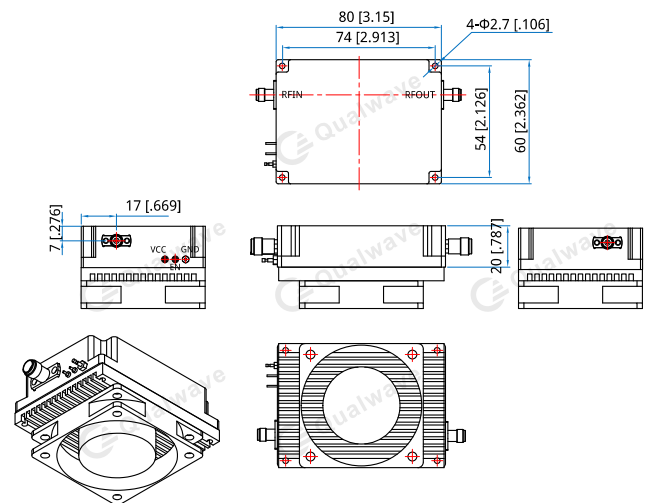
**Mechanical**

Size*1:	80*60*20mm 3.15*2.362*0.787in
Weight:	0.5kg max.
RF Connectors:	2.92mm Female
Housing Material:	Aluminum
Mounting:	4-Φ2.7mm through-hole
Cooling:	Forced Air

[1] Exclude connectors, heatsink, fan.

**Environmental**

Operating Temperature:	-20~+60°C
Non-operating Temperature:	-55~+85°C

**Outline Drawings**


Unit: mm [in]

Tolerance: ±0.2mm [±0.008in]

**How To Order**

**QPA-37000-40000-45-34-F**

Customization is available upon request.