

# QPA-26000-33000-32-32.5S-F

## 26~33GHz, 32dB, 32.5dBm

**Features:**

- \* Small Size
- \* Low Power Consumption

**Applications:**

- \* Wireless
- \* Transmitter
- \* Laboratory Test

**Electrical**

Frequency:	26~33GHz
Gain:	32dB min.
Gain Flatness:	±2.5dB typ.
Output Power (P1dB):	+31.5dBm min.
Output Power (Psat):	+32.5dBm typ.
Input VSWR:	2 typ.
Output VSWR:	2 typ.
Voltage:	+24V DC typ.
Current:	0.4A typ.
Impedance:	50Ω

**Absolute Maximum Ratings\*1**

RF Input Power: +5dBm typ.

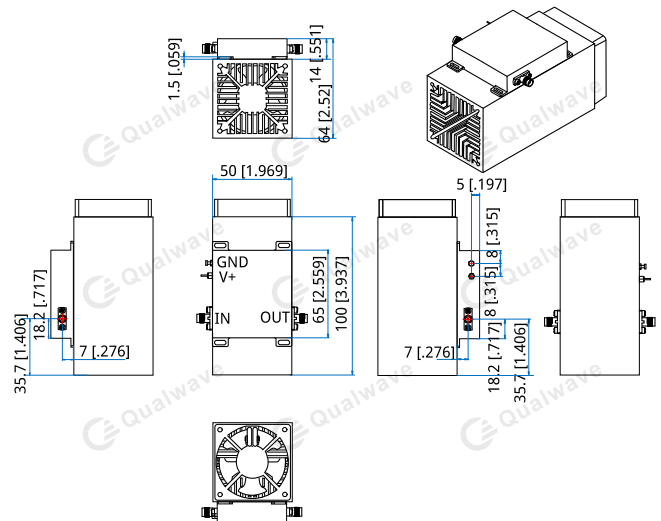
[1] Permanent damage may occur if any of these limits are exceeded.

**Mechanical**

Size\*2: 50\*100\*64mm  
1.969\*3.937\*2.52in

RF Connectors: 2.92mm Female

[2] Exclude connectors and fan.

**Outline Drawings**


Unit: mm [in]

Tolerance: ±0.2mm [±0.008in]

**How To Order**

**QPA-26000-33000-32-32.5S-F**

Customization is available upon request.