

QPA-26000-33000-32-30.5S-F

26~33GHz, 32dB, 30.5dBm

Features:

- * Small Size
- * Low Power Consumption

Applications:

- * Wireless
- * Transmitter
- * Laboratory Test

Electrical

Frequency:	26~33GHz
Gain:	32dB min.
Gain Flatness:	±2.5dB typ.
Output Power (P1dB):	+29dBm min.
Output Power (Psat):	+30.5dBm typ.
Input VSWR:	2 typ.
Output VSWR:	2 typ.
Voltage:	+24V DC typ.
Current:	0.2A typ.
Impedance:	50Ω

Absolute Maximum Ratings^{*1}

RF Input Power: +5dBm typ.

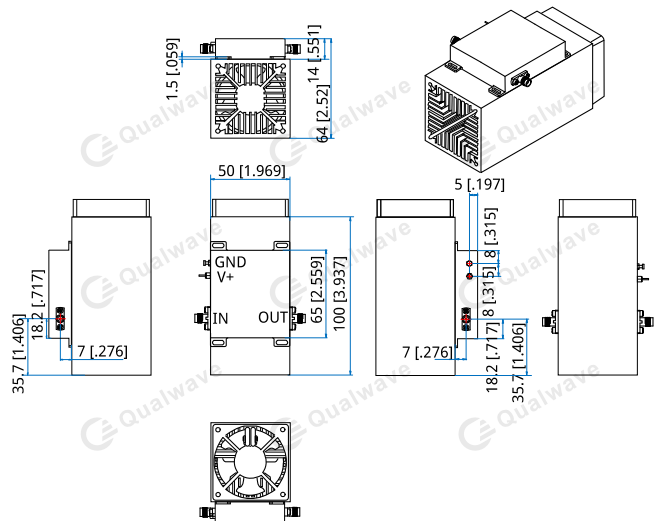
[1] Permanent damage may occur if any of these limits are exceeded.

Mechanical

Size^{*2}: 50*100*64mm
1.969*3.937*2.52in

RF Connectors: 2.92mm Female

[2] Exclude connectors and fan.

Outline Drawings


Unit: mm [in]

Tolerance: ±0.2mm [±0.008in]

How To Order

QPA-26000-33000-32-30.5S-F

Customization is available upon request.