

QPA-20-512-45-44.8S

0.02~0.512GHz, 45dB, 44.8dBm

- | | |
|-------------------------|----------------------|
| Features: | Applications: |
| * Small Size | * Wireless |
| * Low Power Consumption | * Transmitter |
| | * Laboratory Test |

Electrical

Frequency:	0.02~0.512GHz
Gain:	45dB min.
Gain Flatness:	2±1dB max.
Output Power (Psat):	44.8dBm min.
Spurious:	-65dBc max.
Harmonic:	-10dBc max. @30W
Input VSWR:	1.8 max.
Input Power:	2±1dBm
	+6dBm max.
Voltage:	28V/7A VCC
	+31V VCC max.
Current:	3~4A max.
PTT:	3.3~5V (On)
Protection Function:	Over 80°C protection

Mechanical

Size ^{*1} :	138.5*80*24.5mm
	5.453*3.15*0.965in
RF Connectors:	SMA female
Power Supply Connectors ^{*2} :	Feed through/Terminal post
Mounting:	4-Φ3.2mm through-hole

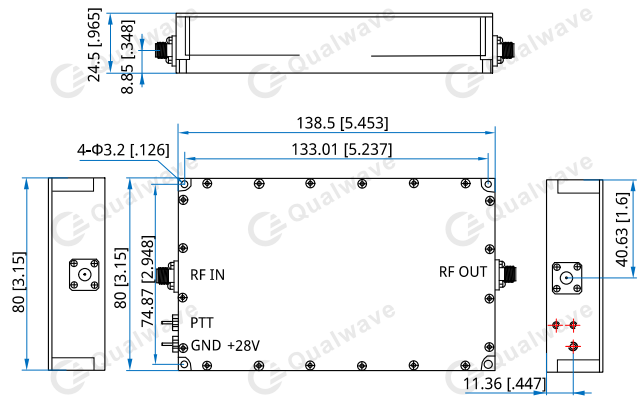
[1] Exclude connectors.

[2] Install heat sink during testing.

Environmental

Operating Temperature:	-25~+55°C
------------------------	-----------

Outline Drawings



Unit: mm [in]

Tolerance: ±0.2mm [±0.008in]

How To Order

QPA-20-512-45-44.8S

Customization is available upon request.