

QPA-18000-26500-45-40S

18~26.5GHz, 45dB, 40dBm

Features:

- * Small Size
- * Low Power Consumption

Applications:

- * Wireless
- * Transmitter
- * Laboratory Test

Electrical

Frequency:	18~26.5GHz
Gain:	45dB min.
Gain Flatness:	±3.0dB typ.
Output Power (Psat):	40dBm min.
Input VSWR:	2.0 typ.
Output VSWR:	2.0 typ.
Voltage:	+28V/-5V DC
Input Power Without Damage:	10dBm max.

Mechanical

Size*1:	165*140*61mm 6.496*5.512*2.402in
RF Connectors:	2.92mm Female
Power Supply Connectors:	DB15
Housing Material:	Aluminum
Mounting:	4-Φ3.5mm through-hole
Cooling:	Forced air

[1] Exclude connectors and fans.

Environmental

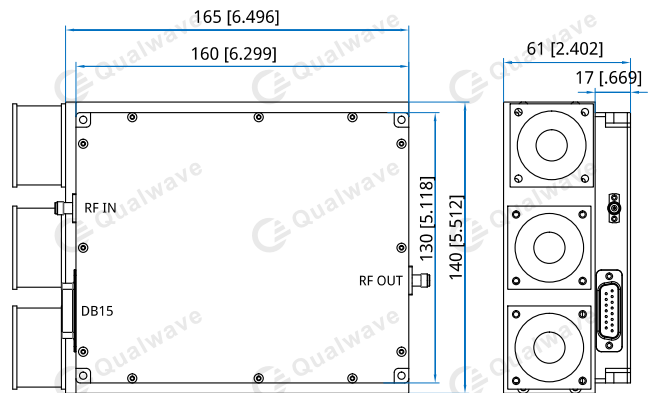
Operating Temperature:	-20~+50°C
Non-operating Temperature:	-40~+85°C

Pin Numbering

Pin	Function	Pin	Function
1~8	+28V	10~15	GND
9	-5V		

Fan Power

Line	Function	Line	Function
Red	+12V	Black	GND

Outline Drawings


Unit: mm [in]

Tolerance: ±0.2mm [±0.008in]

How To Order

QPA-18000-26500-45-40S

Customization is available upon request.