

## QPSA-2000-18000-5-P

2~18GHz, -5dB, SMP

Features:  
\* Broadband

Applications:  
\* Wireless  
\* Transceiver  
\* Laboratory Test  
\* Broadcast

### Electrical

Frequency:	2~18GHz
Gain:	-5dB min.
VSWR:	2.5 max.
Axis Ratio:	5dB max.
Polarization:	Right hand circle polarization

### Mechanical

Connectors: SMP Female

### How To Order

**QPSA-2000-18000-5-P-Y**

Y : Polarization

Polarization naming rules:

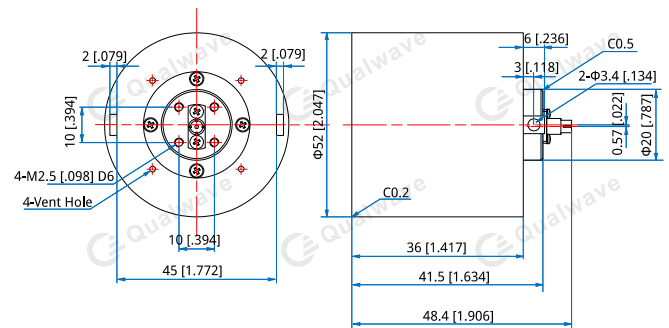
R - Right hand circle polarization

Examples:

To order an Planar Spiral Antenna, 2~18GHz, -5dB, SMP female, Right hand circle polarization, specify QPSA-2000-18000-5-P-R.

Customization is available upon request.

### Outline Drawings



Unit: mm [in]

Tolerance:  $\pm 0.5\text{mm}$  [ $\pm 0.02\text{in}$ ]