

# QPS2 SP3T

Features:  
 \* Low Insertion Loss  
 \* High Isolation

Applications:  
 \* Wireless  
 \* Transmitter  
 \* Laboratory Test  
 \* Radar

## Specifications

Part Number	Frequency (GHz)	IL (dB Max.)	VSWR (Max.)	Isolation (dB Min.)	Power (W Max.)	On/Off Delay (nS Max.)
QPS3-20-1000	0.02~1	1.3	1.4	70	1	50
QPS3-1000-2000	1~2	1.6	1.4	70	1	50
QPS3-2000-6000	2~6	2	1.6	70	1	50
QPS3-8000-12000	8~12	2.2	1.6	70	1	50
QPS3-6000-18000	6~18	2.5	1.8	60	1	50
QPS3-18000-26500	18~26.5	2.7	2	60	1	50
QPS3-26500-40000	26.5~40	3.5	2	60	1	50

## Mechanical

Size\*1: 40\*26\*12mm  
 1.575\*1.024\*0.472in

RF Connectors: SMA Female

Power Supply Connectors: Feed Through/Terminal Post

Housing Material: Aluminum

Mounting: 4-Φ2.7mm through-hole

[1] Exclude connectors.

## Electrical

Frequency: 0.02~40GHz

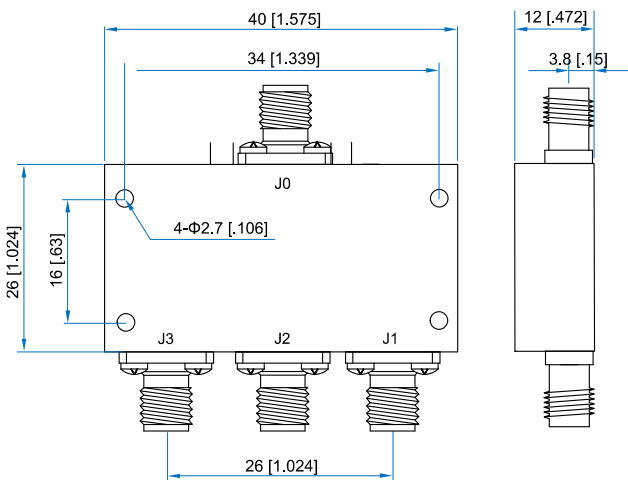
Control: TTL High - 1  
 TTL Low/NC - 0

## Environmental

Operating Temperature: -40~+70°C

Non-operating Temperature: -55~+85°C

## Outline Drawings



Unit: mm [in]  
 Tolerance: ±0.2mm [±0.008in]

## Control True Table

C1	C2	Connection
0	0	J0 - J1 On
0	1	J0 - J2 On
1	0	J0 - J3 On

## How To Order

### QPS3-X-Y-Z

X: Start frequency in MHz

Y: Stop frequency in MHz

Z: Absorptive: A, Reflective: R.

Examples:

To order an SP3T PIN Diode Switch, 6~18GHz, reflective, specify QPS3-6000-18000-R.

Customization is available upon request.