

QBMT50-1

50W

Features:
 * Low VSWR
 * Broadband

Applications:
 * Transmitters
 * Antennas
 * Laboratory Test
 * Impedance Matching

Electrical

Frequency Range: DC~8GHz
 Average Power^{*1}: 50W@25°C
 VSWR: 3±0.3
 Peak Power: 5KW (5µS pulse width, 1% duty cycle)

[1] Derated linearly to 5W@125°C.

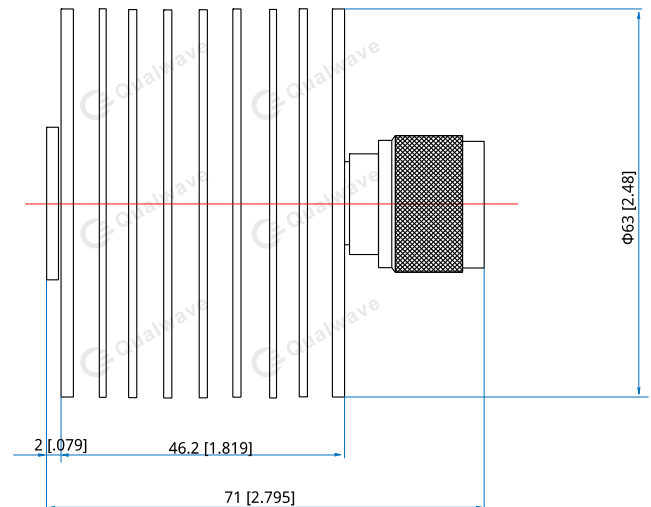
Mechanical

Connector: N Male
 Weight: 190g
 Housing: Aluminum
 Outer Conductor: Nickel plated brass
 Male Inner Conductor: Gold plated brass
 Female Inner Conductor: Gold plated beryllium copper

Environmental

Temperature: -55~+125°C

Outline Drawings



Unit: mm [in]
 Tolerance: ±5%

How To Order

QBMT50-0-8000-3-N

Customization is available upon request.