

QBMT30

30W

Features:
 * Low VSWR
 * Broadband

Applications:
 * Transmitters
 * Antennas
 * Laboratory Test
 * Impedance Matching

Electrical

| | |
|-------------------------------|--|
| Frequency Range: | 0.6~3.9GHz |
| Average Power ^{*1} : | 30W@25°C |
| VSWR: | 3±0.5 |
| Peak Power: | 0.5KW (5μS pulse width, 6% duty cycle) |

[1] Derated linearly to 3W@125°C.

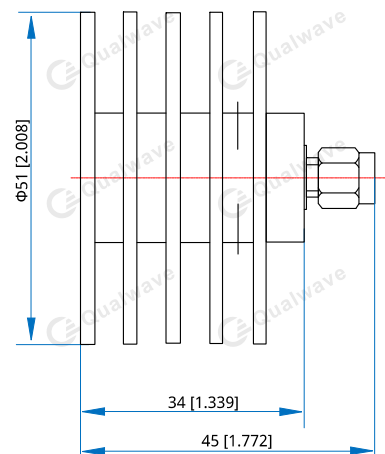
Mechanical

| | |
|-------------------------|------------------------------|
| Connector: | SMA Male |
| Weight: | 85g |
| Housing: | Aluminum |
| Outer Conductor: | Nickel plated brass |
| Male Inner Conductor: | Gold plated brass |
| Female Inner Conductor: | Gold plated beryllium copper |

Environmental

| | |
|--------------|------------|
| Temperature: | -55~+125°C |
|--------------|------------|

Outline Drawings



Unit: mm [in]
 Tolerance: ±5%

How To Order

QBMT30-600-3900-3-S

Customization is available upon request.