

QBMT25

25W

Features:
 * Low VSWR
 * Broadband

Applications:
 * Transmitters
 * Antennas
 * Laboratory Test
 * Impedance Matching

Electrical

Frequency Range:	0.6~3.9GHz
Average Power ^{*1} :	25W@25°C
VSWR:	2.5±0.2
Peak Power:	0.5KW (5μS pulse width, 5% duty cycle)

[1] Derated linearly to 2.5W@125°C.

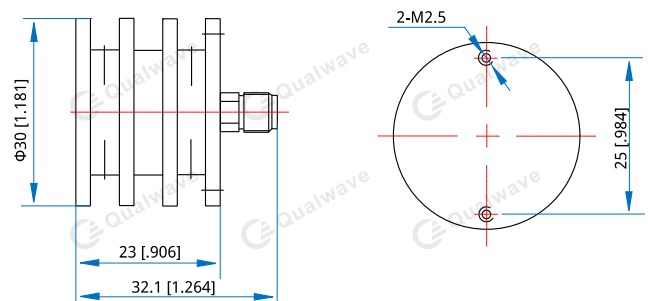
Mechanical

Connector:	SMA Female
Weight:	50g
Housing:	Aluminum
Outer Conductor:	Nickel plated brass
Male Inner Conductor:	Gold plated brass
Female Inner Conductor:	Gold plated beryllium copper

Environmental

Temperature:	-55~+125°C
--------------	------------

Outline Drawings



Unit: mm [in]
 Tolerance: ±5%

How To Order

QBMT25-600-3900-2.5-SF

Customization is available upon request.