

# QMC-24500-26500-10-1

24.5~26.5GHz, 10W

**Features:**

- \* Broadband
- \* High Isolation
- \* Low Insertion Loss

**Applications:**

- \* Wireless
- \* Radar
- \* Laboratory Test

**Electrical**

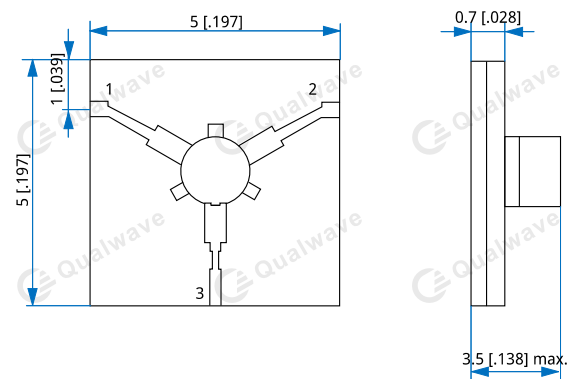
Frequency:	24.5~26.5GHz
Insertion Loss:	0.5dB max.
Isolation:	18dB min.
VSWR:	1.25 max.
Forward Power:	10W

**Mechanical**

Size:	5*5*0.7mm 1.97*1.97*0.28in
Direction:	Clockwise (1-2-3)

**Environmental**

Temperature:	-55~+85°C
--------------	-----------

**Outline Drawings**


Unit: mm [inch]

Tolerance:  $\pm 0.2\text{mm}$  [ $\pm 0.008\text{in}$ ]

**How To Order**

**QMC-24500-26500-10-1**

Customization is available upon request.