

QCA10-2-18-40

2~18GHz, 0~40dB, 10W

Features:

- * Low VSWR
- * High Attenuation Flatness

Applications:

- * Wireless
- * Transmitter
- * Laboratory Test
- * Radar

Electrical

Frequency:	2~18GHz
VSWR:	1.6 max.
Attenuation Range:	0~40dB
Insertion Loss:	1.2dB max.
Impedance:	50Ω
Average Power:	10W

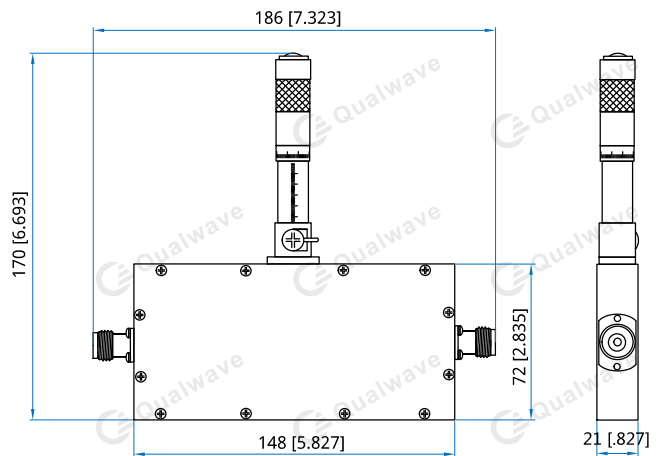
Mechanical

Size*1:	148*72*21mm 5.827*2.835*0.827in
Weight:	600g
RF Connectors:	N Female, SMA Female
Outer Conductor:	Nickel plated brass
Female Inner Conductor:	Gold plated beryllium copper
Housing:	Aluminum

Environmental

Temperature:	-40~+65°C
--------------	-----------

Outline Drawings



Unit: mm [in]

Tolerance: ±1mm [±0.04in]

How To Order

[QCA10-2-18-40-S](#)

[QCA10-2-18-40-N](#)

Customization is available upon request.