

QCA1

DC~2.5GHz, 0~16dB, 1W

Features:

- * Low VSWR
- * High Attenuation Flatness

Applications:

- * Wireless
- * Transmitter
- * Laboratory Test
- * Radar

Electrical

Frequency:	DC~2.5GHz
Attenuation Range:	10, 16dB
Impedance:	50Ω
Average Power:	1W

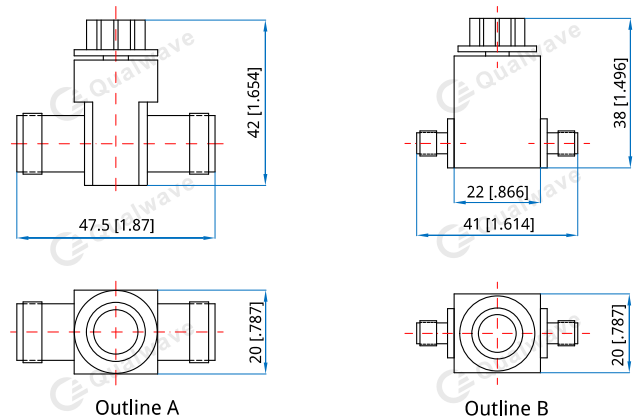
Mechanical

Weight:	65g
Outer Conductor:	Nickel plated brass
Female Inner Conductor:	Gold plated beryllium copper
Housing:	Aluminum

Environmental

Temperature:	-40~+65°C
--------------	-----------

Outline Drawings



Unit: mm [in]

Tolerance: ±1mm [±0.04in]

How To Order

QCA1-0-2.5-10-N - 0~10dB, N Female, Outline A

QCA1-0-2.5-16-N - 0~16dB, N Female, Outline A

QCA1-0-2.5-10-S - 0~10dB, SMA Female, Outline B

QCA1-0-2.5-16-S - 0~16dB, SMA Female, Outline B

Customization is available upon request.