

QLPA0330

0.6~3GHz, 30W

Features:
 * Low VSWR
 * Low PIM

Applications:
 * Wireless
 * Transmitter
 * Laboratory Test
 * Radar

Electrical

Frequency: 0.6~3GHz
 Attenuation: 3, 5, 6, 10, 15, 20, 30dB
 IM3*1: -160dBc@2*33dBm
 Average Power: 30W
 Impedance: 50Ω

[1]Two Carriers: 900MHz & 1800MHz.

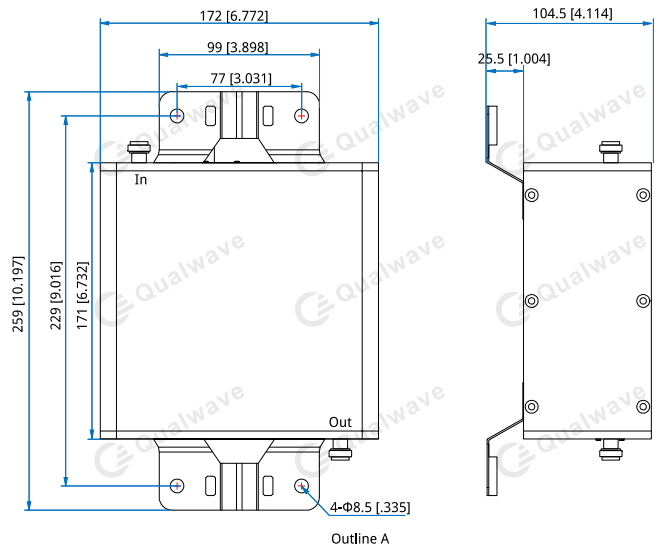
Mechanical

Size: 172*259*104.5mm
 6.772*10.197*4.114in
 RF Connectors: N, 7/16 DIN (L29)
 Material: Aluminium
 Outer Conductor: Ternary alloy
 Male Inner Conductor: Silver plated brass
 Female Inner Conductor: Silver plated beryllium copper

Environmental

Temperature: -30~+70°C

Outline Drawings



Unit: mm [in]
 Tolerance: ±3%

Attenuation Accuracy and VSWR

Frequency (GHz)	Attenuation Accuracy (±dB) vs. Attenuation (dB)							VSWR (max.)
	3	5	6	10	15	20	30	
0.6~3	±1	±1	±1	±1	±1	±1	±1.5	1.25

How To Order

QLPA0330-W-X-Y-Z

W: Frequency in GHz

X: Attenuation in dB

Y: Connector type

Z: IM3

Connector naming rules:

N - N male to N female (Outline A)

7 - 7/16 DIN (L29) male to 7/16 DIN (L29) female (Outline A)

IM3 naming rules:

160 - 160dBc

Examples:

To order an termination, 0.7~3GHz, 3dB, N male to N female, -160dBc, specify QLPA0330-3-3-N-160.

Customization is available upon request.