

QLF-9000-60

DC~9GHz, 60dB

Features:

- * High Stopband Rejection
- * Small Size

Applications:

- * Telecom
- * Laboratory Test
- * Receivers
- * Instrumentation

Electrical

Passband:	DC~9GHz
Passband Insertion Loss:	1dB max.
Passband Ripple:	0.4dB max.
VSWR:	1.6 max.
Stopband Attenuation:	60dBc@14~17GHz min.
Average Power:	0.5W min.

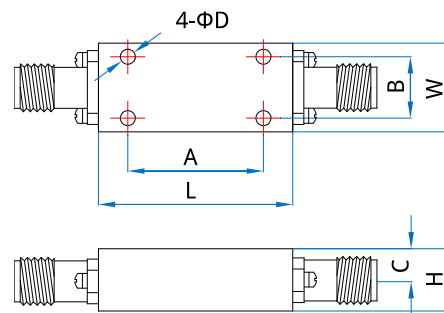
Mechanical

RF Connectors:	SMA Female, removable Φ0.38mm inner pin
Mounting:	4*2.2mm through-hole

Environmental

Operating Temperature:	0~+55°C
Non-operating Temperature:	-55~+85°C

Outline Drawings



Size	L	W	H	A	B	C	D
mm	29	22	12	20	17	6	2.2
in	1.142	0.866	0.472	0.787	0.669	0.236	0.087

Unit: mm [in]

Tolerance: ±0.2mm [±0.008in]

How To Order

QLF-9000-60

Customization is available upon request.