

QLA-2000-6000-39-45

2~6GHz, 39dB, 4.5dB

Features:
 * Broad Band
 * Low Noise

Applications:
 * Wireless
 * Receiver
 * Laboratory Test
 * Radar

Electrical

Frequency: 2~6GHz
 Gain: 39dB min.
 Gain Flatness: ± 0.8 dB typ.
 Output Power (P1dB): 23dBm min.
 Noise Figure: 4.5dB max..
 Input VSWR: 2 max.
 Output VSWR: 2 max.
 Voltage: +10V DC typ.
 Current: 300mA typ.
 Impedance: 50 Ω

Mechanical

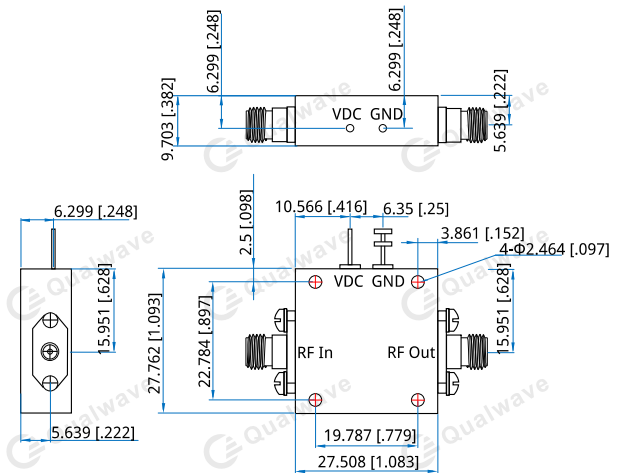
Size*¹: 27.508*27.762*9.703mm
 1.083*1.093*0.382in
 RF Connectors: SMA Female
 Mounting: 4- Φ 2.464mm through-hole

[1] Exclude connectors.

Environmental

Operating Temperature: -20~+70°C
 Non-operating Temperature: -40~+85°C

Outline Drawings



Unit: mm [in]
 Tolerance: ± 0.2 mm [± 0.008 in]

How To Order

[QLA-2000-6000-39-45](#)

Customization is available upon request.