

# QLA-100-30000-18-55

0.1~30GHz, 18dB, 5.5dB

Features:  
 \* Broad Band  
 \* Low Noise

Applications:  
 \* Wireless  
 \* Receiver  
 \* Laboratory Test  
 \* Radar

## Electrical

Frequency:	0.1~30GHz
Small Signal Gain:	18dB min.
Gain Flatness:	±2.5dB typ.
Output Power (P1dB):	+15dBm min.
Noise Figure:	5.5dB typ.
VSWR:	2.5 max.
Voltage:	+12V DC
Current:	350mA typ.
Impedance:	50Ω

## Mechanical

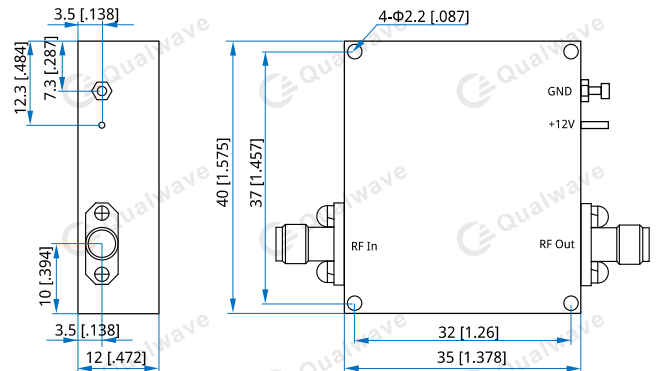
Size <sup>*1</sup> :	40*35*12mm 1.575*1.378*0.472in
RF Connectors:	2.92mm Female
Mounting:	4-Φ2.2mm through-hole

[1] Exclude connectors.

## Environmental

Operating Temperature:	-40~+70°C
Non-operating Temperature:	-55~+100°C

## Outline Drawings



Unit: mm [in]

Tolerance: ±0.2mm [±0.008in]

## How To Order

**QLA-100-30000-18-55**

Customization is available upon request.