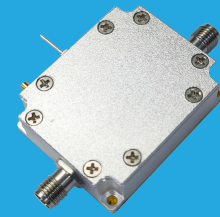


## QLA-0.09-2000-42-30

0.09~2000MHz, 42dB, 3dB

Features:  
 \* Small Size  
 \* Low Power Consumption

Applications:  
 \* Wireless  
 \* Transmitter  
 \* Laboratory Test



### Electrical

Frequency:	0.09~2000MHz
Gain:	42dB typ.
Noise Figure:	3dB typ.
Output Power (P1dB):	15dBm typ.
Input VSWR:	2 typ.
Output VSWR:	2 typ.
Voltage/Current:	+12V/300mA
Impedance:	50Ω

### Absolute Maximum Ratings<sup>\*1</sup>

RF Input Power:	-15dBm
Voltage:	+12.5V
Limiting Temperature:	-45~+80°C

[1] Permanent damage may occur if any of these limits are exceeded.

### Mechanical

Size <sup>*2</sup> :	40*32*12mm 1.575*1.26*0.087in
RF Connectors:	SMA female
Power Supply Connectors:	Feed Through/Terminal Post
Mounting:	4-Φ2.2mm through-hole

[2] Exclude connectors.

### Environmental

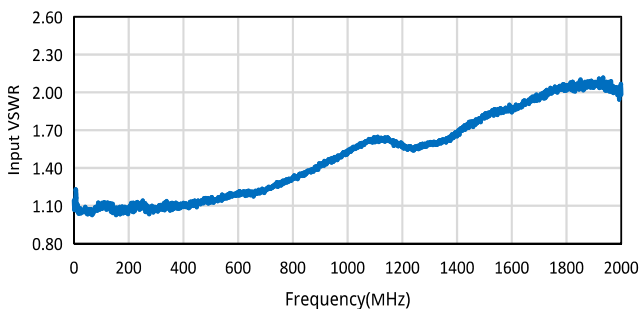
Operating Temperature:	-35~+75°C
------------------------	-----------

### How To Order

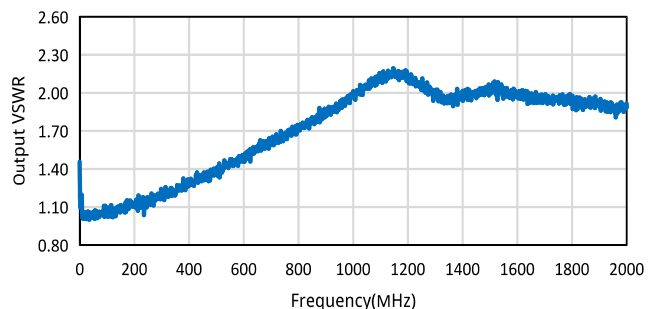
QLA-0.09-2000-42-30

### Typical Performance Curves

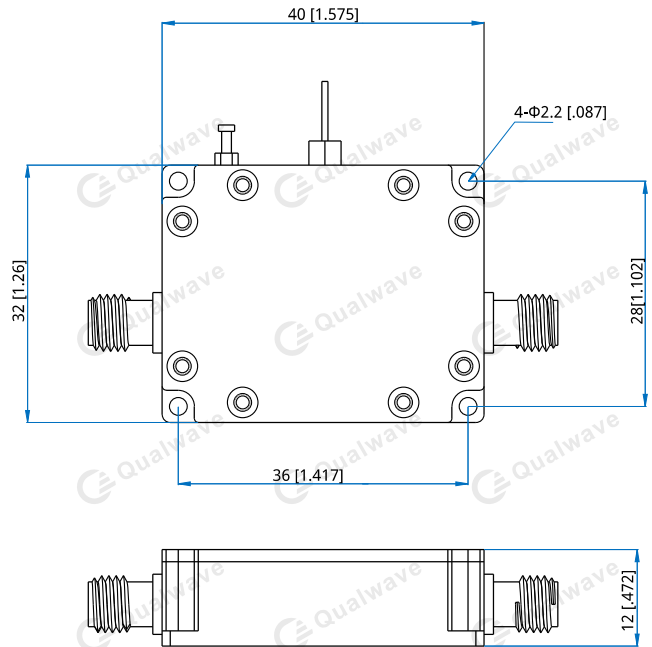
Input VSWR vs. Frequency



Output VSWR vs. Frequency



### Outline Drawings



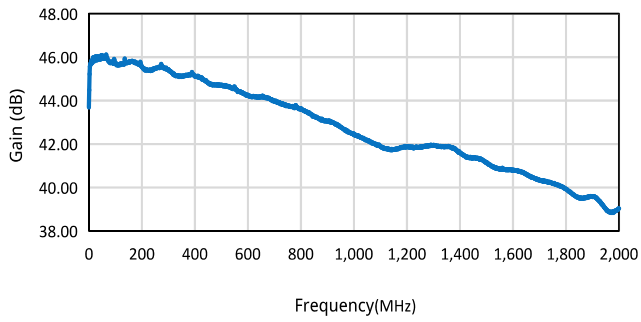
Unit: mm [in]

Tolerance: ±0.2mm [±0.008in]

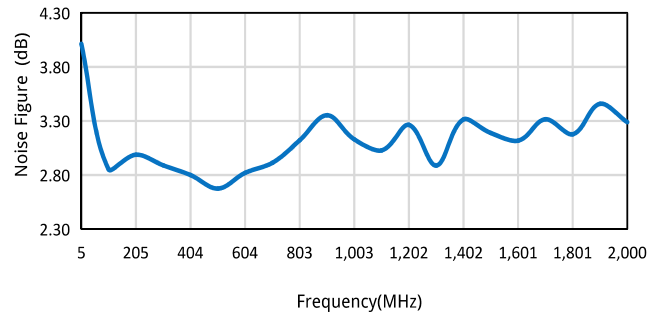
Customization is available upon request.

# Low Noise Amplifier

Gain vs. Frequency



Noise Figure vs. Frequency



P1dB vs. Frequency

