

QLAS-50-4000-20-15

0.05~4GHz, 20dB, 1.5dB

Features:
 * Broadband
 * Low Noise

Applications:
 * Wireless
 * Receiver
 * Laboratory Test
 * Radar

Electrical

Frequency:	0.05~4GHz
Gain:	20dB typ.
Gain Flatness:	±1.5dB max.
Output Power (P1dB):	20dBm typ.
OIP3:	32dBm typ.@0.05~3GHz 28dBm typ.@3~4GHz
Noise Figure:	1.5dB typ.
VSWR:	1.5 typ.
Voltage:	80~270V DC
RF Input Power:	20dBm
Impedance:	50Ω

Mechanical

Size*1: 136*186*52mm
 5.354*7.323*2.047in

RF Connectors: SMA Female

[1] Exclude connectors, rack mount brackets, handles.

Environmental

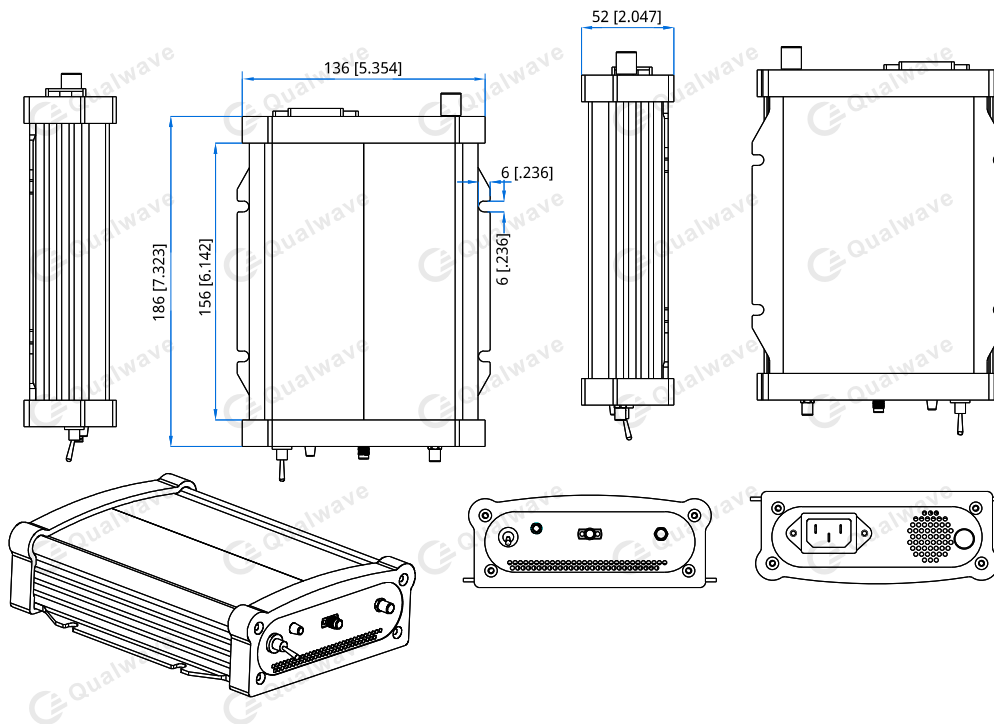
Operating Temperature: -40~+70°C

Non-operating Temperature: -55~+100°C

How To Order

[QLAS-50-4000-20-15](#)

Outline Drawings



Unit: mm [in]

Tolerance: ±0.2mm [±0.008in]

Customization is available upon request.