

# QLAS-2000-18000-28-30

2~18GHz, 28dB, 3dB

Features:  
 \* Broad Band  
 \* Low Noise

Applications:  
 \* Wireless  
 \* Receiver  
 \* Laboratory Test  
 \* Radar

### Electrical

Frequency:	2~18GHz
Gain:	28dB min.
Gain Flatness:	±1.5dB typ.
Output Power (P1dB):	10dBm min.
Noise Figure:	3dB typ.
Spurious:	-60dBc max.
VSWR:	1.5 typ.
Voltage:	+220V AC
Impedance:	50Ω

### Mechanical

Size\*1: 136\*186\*52mm  
 5.354\*7.323\*2.047in

RF Connectors: SMA Female

[1] Exclude connectors, rack mount brackets, handles.

### How To Order

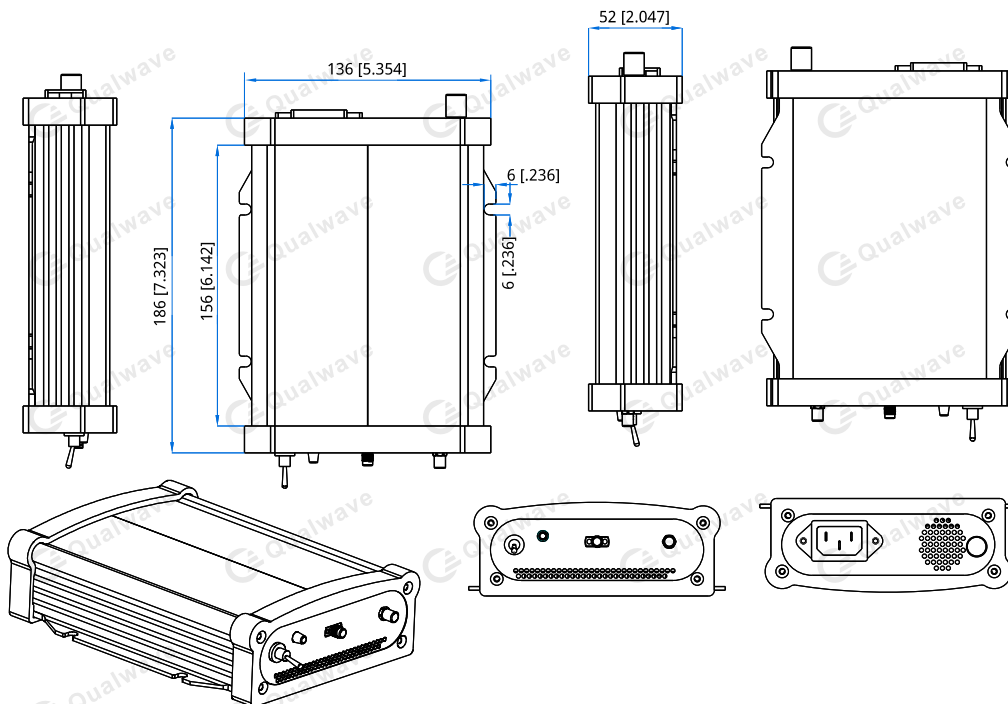
**QLAS-2000-18000-28-30**

Customization is available upon request.

### Environmental

Operating Temperature:	-20~+50°C
Non-operating Temperature:	-40~+85°C

### Outline Drawings



Unit: mm [in]  
 Tolerance: ±0.2mm [±0.008in]