

QLAS-18000-40000-55-40

18~40GHz, 55dB, 4dB

Features:
* Broadband
* Low Noise

Applications:
* Wireless
* Receiver
* Laboratory Test
* Radar

Electrical

Frequency:	18~40GHz
Gain:	55dB min.
Gain Flatness:	±3dB max.
Output Power (P1dB):	10dBm min.
Noise Figure:	4.0dB typ.
Spurious:	-60dBc max.
VSWR:	2 typ.
Voltage:	110~220V AC
Input Power:	-20dBm max.
Impedance:	50Ω

Mechanical

Size*1: 136*186*52mm
5.354*7.323*2.047in

RF Connectors: 2.92mm Female

[1] Exclude connectors, rack mount brackets, handles.

How To Order

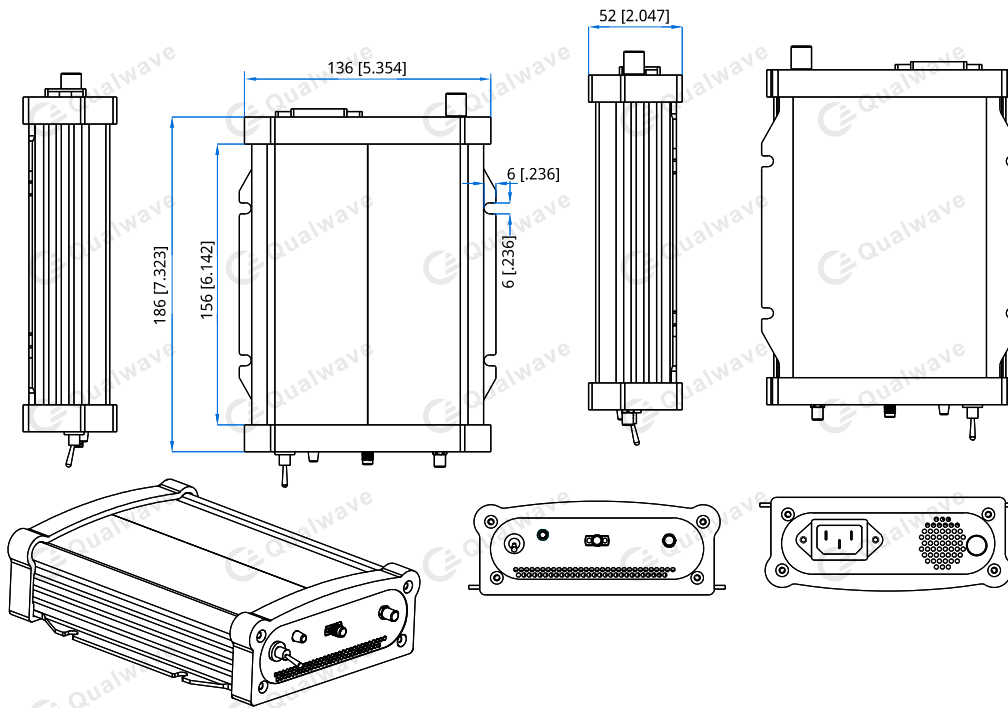
QLAS-18000-40000-55-40

Customization is available upon request.

Environmental

Operating Temperature: -20~+50°C
Non-operating Temperature: -40~+85°C

Outline Drawings



Unit: mm [in]

Tolerance: ±0.2mm [±0.008in]