

QLAS-1000-18000-47-32

1~18GHz, 47dB, 3.2dB

Features:
 * Broad Band
 * Low Noise

Applications:
 * Wireless
 * Receiver
 * Laboratory Test
 * Radar

Electrical

Frequency:	1~18GHz
Gain:	47dB min.
Output Power (P1dB):	12dBm typ.
Noise Figure:	3.2dB typ.
Harmonic:	-15dBc typ.
Spurious:	-60dBc max.
Input VSWR:	1.8 typ.
Output VSWR:	1.8 typ.
Voltage:	+220V AC

Mechanical

Size*1: 136*186*52mm
 5.354*7.323*2.047in

RF Connectors: SMA Female

[1] Exclude connectors, rack mount brackets, handles.

How To Order

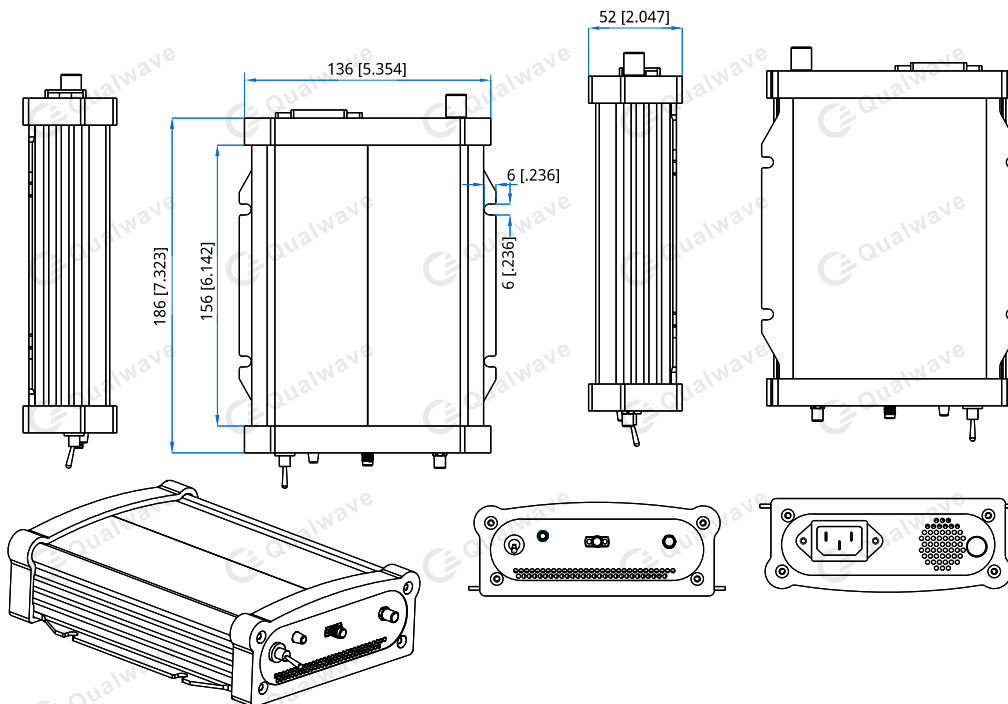
[QLAS-1000-18000-47-32](#)

Customization is available upon request.

Environmental

Operating Temperature:	-20~+50°C
Non-operating Temperature:	-40~+85°C

Outline Drawings



Unit: mm [in]
 Tolerance: ±0.2mm [±0.008in]