

QLAS-100-20000-25-40

0.1~20GHz, 25dB, 4dB

Features:
 * Broad Band
 * Low Noise

Applications:
 * Wireless
 * Receiver
 * Laboratory Test
 * Radar

Electrical

Frequency:	0.1~20GHz
Small Signal Gain:	25dB typ.
Gain Flatness:	±1.5dB typ.
Output Power (P1dB):	20dBm min.@25°C
Noise Figure:	4dB max.@25°C
Input VSWR:	3.0 max.
output VSWR:	2.0 max.
Voltage:	+220V AC
Impedance:	50Ω

Mechanical

Size*1: 136*186*52mm
 5.354*7.323*2.047in

RF Connectors: SMA Female

[1] Exclude connectors, rack mount brackets, handles.

How To Order

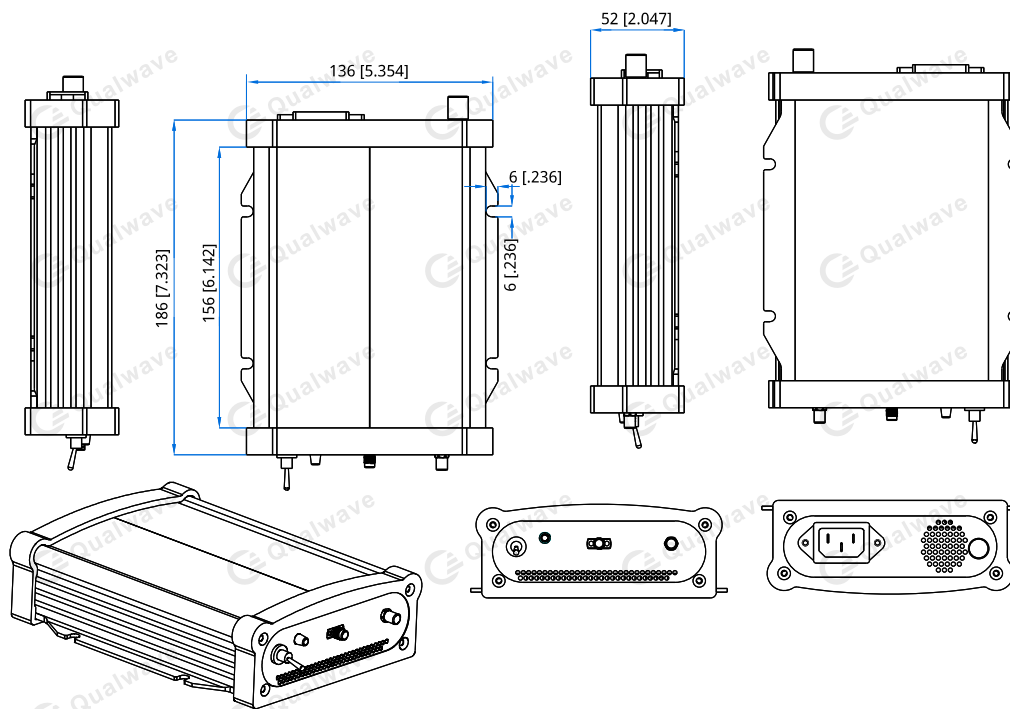
QLAS-100-20000-25-40

Customization is available upon request.

Environmental

Operating Temperature: -55~+85°C

Outline Drawings



Unit: mm [in]

Tolerance: ±0.2mm [±0.008in]