

# QCFT4-030-1

## Feedthrough

Features:  
\* Low VSWR

Applications:  
\* Wireless  
\* Radar  
\* Instruments  
\* Electronics

### Electrical

Voltage Withstand: 500V AC  
Impedance of Dielectric: 1000MΩ min.

### Mechanical

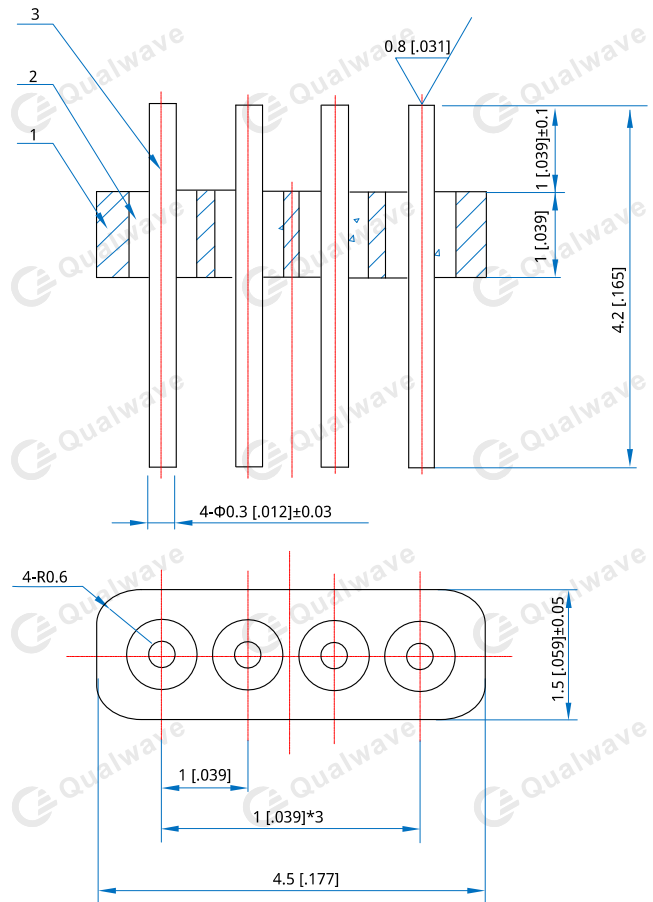
Material 1, 3: 4J29  
Material 2: BH-G/K (green)

### How To Order

**QCFT4-030-1**

Customization is available upon request.

### Outline Drawings



Unit: mm [inch]

Tolerance: ±0.1mm [±0.004in]