

# QIM-6000-26000

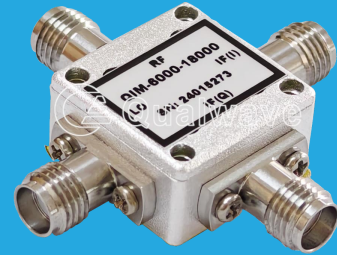
## 6~26GHz

**Features:**

- \* Low Conversion Loss
- \* High Isolation

**Applications:**

- \* Wireless
- \* Transceiver
- \* Laboratory Test
- \* Broadcast



### Electrical

|                     |            |
|---------------------|------------|
| RF/LO Frequency:    | 6~26GHz    |
| LO Input Power:     | 18dBm typ. |
| IF Frequency:       | DC~6GHz    |
| Conversion Loss:    | 12dB typ.  |
| Amplitude Balance:  | ±0.8dB     |
| Phase Balance:      | ±5°        |
| Isolation (LO, RF): | 35dB typ.  |
| Isolation (LO, IF): | 30dB typ.  |
| Isolation (RF, IF): | 30dB typ.  |

### Absolute Maximum Ratings

|              |       |
|--------------|-------|
| Input Power: | 26dBm |
| I/Q Current: | 30mA  |

### Mechanical

|                      |                                   |
|----------------------|-----------------------------------|
| Size <sup>*1</sup> : | 18*18*10mm<br>0.709*0.709*0.394in |
| Connectors:          | SMA Female                        |
| Mounting:            | 4-Φ2.2mm through-hole             |

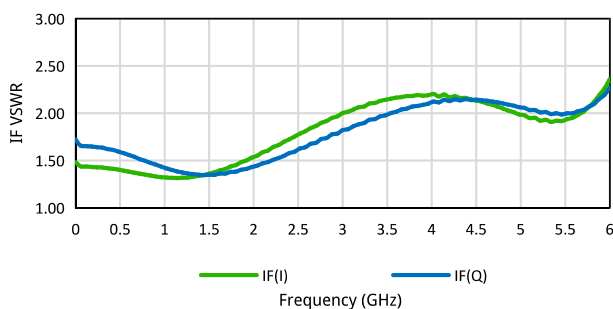
[1] Exclude connectors.

### Environmental

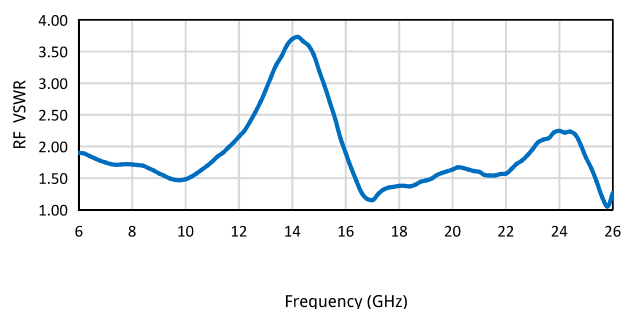
|                            |            |
|----------------------------|------------|
| Operating Temperature:     | -40~+70°C  |
| Non-operating Temperature: | -55~+100°C |

### Typical Performance Curves

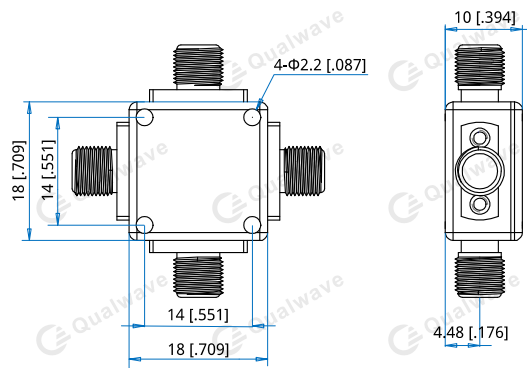
IF VSWR vs. Frequency



RF VSWR vs. Frequency



### Outline Drawings



Unit: mm [in]  
Tolerance: ±0.5mm [±0.02in]

### How To Order

**QIM-6000-26000**

Customization is available upon request.

