

## QWT75-2K5 WR-75, 2.5KW

Features:  
\* Low VSWR

Applications:  
\* Transmitters  
\* Antennas  
\* Laboratory Test  
\* Impedance Matching

### Electrical

Frequency: 9.84~15GHz  
Average Power: 2.5KW  
VSWR: 1.2 max.

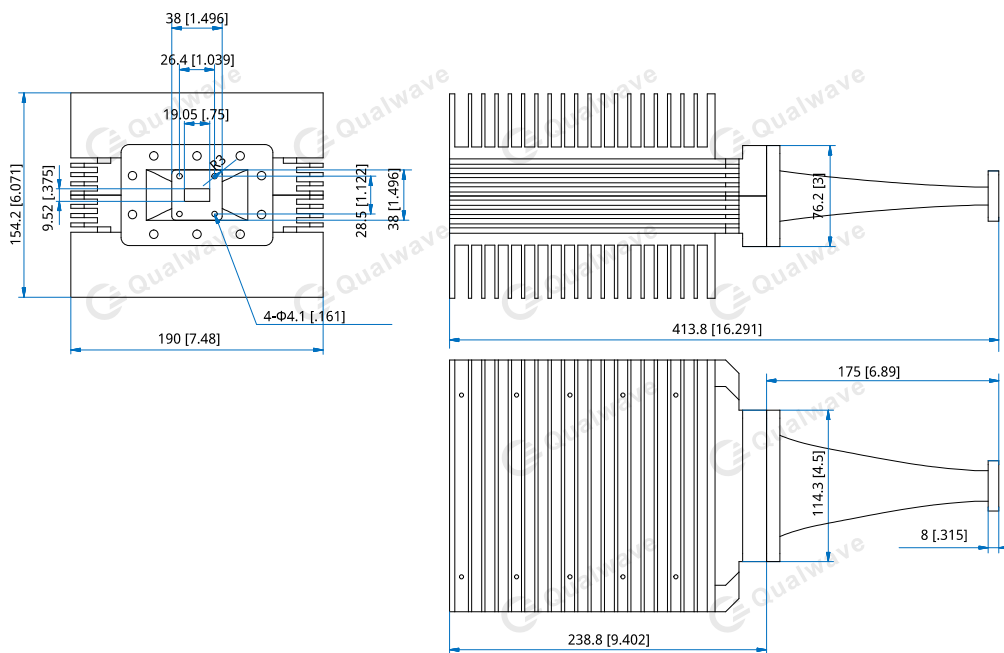
### Mechanical

Waveguide Size: WR-75 (BJ120)  
Flange: FBP120/FDP120

### Environmental

Temperature: -55~+125°C

### Outline Drawings



Outline A

Unit: mm [in]  
Tolerance:  $\pm 0.5\text{mm}$  [ $\pm 0.02\text{in}$ ]

### How To Order

**QWT75-2K5-Y-Z**

Y : Material

Z : Flange type

Material naming rules:  
A - Aluminum (Outline A)

Flange naming rules:

1 - FBP120 (Outline A)

2 - FDP120

Examples:

To order a high power waveguide termination, WR-75, 2.5KW, Aluminum, FBP120, specify QWT75-2K5-A-1.

Customization is available upon request.